

**Accurate**

HH-1	D62LB-5-80
HH-2	D72LB-9-80
HP-HH001	D62LB-5-80
HP-HH002	D72LB-9-80
MF-51	D72LB-9-80

**Anthony Midwest Body**

H070105	S63DC-97-111 CM26
H0701052	S63DC-97-111 CM26
H0710432	S73DC-66-110 CM26
H075018	S73DC-66-124 CM23
H0750182	S73DC-66-124 CM26
H130409	S63DC-101-140 CM26

**Beall**

A3602	S53DC-65-126
A3660	S63DC-101-140

**Benton Harbor**

A89646	D70LN-5-90
P89645	D70LN-5-80
P89648	D60DB-23-72

**Bme Engineering Co**

P-60-OR-176T Hoist...	SD63CB-23-118
-----------------------	---------------

**Caterpillar**

246-7145	S84DC-66-140
246-7332	S63MB-8-140
246-7359	S85MC-48-250
246-7444	S73DC-66-140
246-7456	S74DC-74-156
246-7564	S63DC-97-123
246-7594	S64DB-12-135

**Commercial / Parker**

3782000014	3782000014
B4079	D35LD-7-16
B4100	D25LD-2-90
B4103	D45CC-19-41.50
B4388	D20DD-8-95
B4777	D30CC-13-28
B5109	D40CB-10-42
B5162	D30CC-17-28.19
B5420	D62LB-5-80
B5429	D20DD-6-6.25
B5489	D50DD-28-39.50
B5501	D35DD-7-17.88
B5546	D25LL-14-42
B5548	D40CL-13-45.38
B5550	D45LD-7-45.38
B5551	D35LD-5-19
B5609	D40MD-1-72
B5642	D30LD-10-36
B5653	D30CC-19-16.00
B5654	D30CC-20-8.00
B5655	D30CC-18-8.00
B5788	D45CC-20-46
B5790	D25LL-15-84
B5799	D17AE-2-71.88
B5845	D70DD-9-79
B5866	D30CE-11-18.50
B5873	D50CC-25-43
B5947	D40DD-19-22.50
B6044	B6044
B6148	D35CC-28-38
B6151	D20DD-8-95
B6231	D45DD-10-52.75
C3805	D50CB-8-27
C3810	D60CD-5-34
C3814	D60CD-5-34
C3865	D40DB-7-28.5
C3870	D60DC-12-42.62
C3872	D50CC-27-36
C3878	D55CC-10-24.25
C3880	D60DD-20-79
C3881	D70DD-9-79
C3882	D60CF-3-32.38

**Commercial / Parker**

C3884	S41LC-1-39.38
C3919	D45CD-5-49.12
C3926	D40CD-8-22
C4101	D40CD-14-25
C4208	D32LL-11-38
C4435	D30LD-8-33.38
C4444	D60DB-23-72
C4497	D32LL-11-38
C4622	D45CC-19-41.50
C4774	D65CC-9-66
C4793	D55CC-6-63
C5220	D32LL-11-38
D20DD-4-6.25	D20DD-6-6.25
D20DD-6-6.25	D20DD-6-6.25
D30CD-10-28	D30CD-13-28
D30LD-2-33.38	D30LD-8-33.38
D30LD-7-33.38	D30LD-8-33.38
D35CC-16-26	D35CC-27-26
D35DD-1-17.88	D35DD-7-17.88
D35LC-2-2.00	3782000014
D4094	D60BC-5-30.31 495
D40CB-7-42	D40CB-10-42
D40CD-16-29.50	D40CD-16-29.50
D40CD-8-22	D40CD-8-22
D40CL-2-39.38	S41LC-1-39.38
D40DB-3-25.62	D40DB-7-25.62
D40DB-3-28.5	D40DB-7-28.5
D40DB-4-25.62	D40DB-7-25.62
D40DB-6-25.62	D40DB-7-25.62
D40DB-6-28.5	D40DB-7-28.5
D40LD-3-24.75	D40LD-10-24.75
D40LD-5-24.75	D40LD-11-24.75
D40MD-1-72	D40MD-1-72
D4145	SD53CC-48-164
D4171	D55DD-14-38.62
D4172	D50DD-29-25.62
D4190	S31CB-2-42
D4210	D60DC-13-65.75
D4265	D50DD-30-32.50
D4266	D45DD-9-23
D4398	D35CC-27-26
D4434	D45CD-5-49.12
D4482	D55CC-12-49.12
D4496	D45CC-20-46
D4541	D50DD-32-37.25
D45CC-15-41.50	D45CC-19-41.50
D45CD-1-49.13	D45CD-5-49.12
D45CD-2-49.12	D45CD-4-49.12
D45CD-3-49.12	D45CD-5-49.12
D50DD-24-39.50	D50DD-28-39.50
D55CC-1-49.13	D55CC-12-49.12
D55CC-3-49.13	D55CC-12-49.12
D60BC-2-30.31	D60BC-5-30.31
D60BC-3-30.31	D60BC-5-30.31
D60BC-4-30.31	D60BC-5-30.31
D60BC-5-30.31	D60BC-5-30.31
D60DB-4-72	D60DB-23-72
D60DB-7-72	D60DB-23-72
D60DC-10-30.50	D60BC-5-30.31 495
D60DC-11-30.50	D60BC-5-30.31 536
D60DC-1-42.62	D60DC-12-42.62
D60DC-7-42.62	D60DC-12-42.62
D60DD-11-79	D60DD-20-79
D60DD-14-79	D60DD-20-79
D60DD-16-79	D60DD-20-79
D60DD-20-79	D60DD-20-79
D62DB-7-72	D60DB-23-72
D62DC-10-30	D60BC-5-30.31 495
D62LB-2-81	D62LB-5-80
D62LB-3-79	D62LB-5-80
D62LB-3-80	D62LB-5-80
D62LB-4-80	D62LB-5-80
D62LB-5-80	D62LB-5-80
D62MT-2-80	D62LB-5-80
D65CC-10-66	D65CC-9-66
D70DD-5-79	D70DD-9-79
D70DD-6-79	D70DD-9-79
D70DD-9-79	D70DD-9-79

**Commercial / Parker**

D70LN-1-80	D70LN-5-80
D70LN-2-80	D70LN-5-80
D70LN-2-90	D70LN-5-90
D70LN-4-80	D70LN-5-80
D72DB-10-79	D70DD-9-79
D72DB-3-25	D72DB-7-25
D72DB-4-25	D72DB-7-25
D72DB-7G-25	D72DB-7-25
D72LB-1-80	D72LB-9-80
D72LB-3-80	D72LB-9-80
D72LB-5-80	D72LB-9-80
D72LB-6-81	D72LB-9-80
D72LB-8-80	D72LB-9-80
D72LP-1-80	D70LN-5-80
D72MI-1-80	D72LB-9-80
D72MT-1-80	D72LB-9-80
D84DA-1-25	D84DB-7-25
D84DB-3-25	D84DB-7-25
D84DB-4-25	D84DB-7-25
D84DB-4-25-1	D84DB-7-25-1
D84DB-5-25	D84DB-7-25
D84DB-5-25-1	D84DB-7-25-1
D84DB-7G-25	D84DB-7-25
D84DB-7G-25-1	D84DB-7-25-1
S32DB-1-43	S32DB-3-42.62
S32DB-1-43 CM72	S32DB-3-42.62 CM72
S32DB-1-50	S32DB-3-50
S32DB-1-50 CM72	S32DB-3-50 CM72
S41CL-2-39.38	S41LC-1-39.38
S42CC-12-40	S42CC-19-40
S42DB-5-43	S42DB-8-43
S42DB-5-43 CM72	S42DB-8-43 CM72
S42DB-5-51	S42DB-8-51
S42DB-5-51 CM72	S42DB-8-51 CM72
S42MB-1-82	S42MB-3-90
S42MB-1-83	S42MB-3-90
S42MB-1-86	S42MB-3-90
S42MB-1-90	S42MB-3-90
S42MB-3-83	S42MB-3-90
S43DB-2-75	S43DB-3-75
S43DB-4-75	S43DB-3-75
S52CC-34-54.62	S52CC-41-54.62
S52CC-34-67.25	S52CC-41-67.25
S52CC-37-54.62	S52CC-41-54.62
S52CC-38-67.25	S52CC-41-67.25
S52DB-11-67.50	S52DB-9-67.50
S53DB-1-103	S53DB-20-103
S53DB-13-90	S53DB-18-90
S53DB-18-60	S53DB-13-60
S53DB-3-75	S53DC-66-72 CM25
S53DB-8-103	S53DB-20-103
S53DC-10-72	S53DC-66-72
S53DC-10-84	S53DC-66-84
S53DC-11-104	S53DC-65-104
S53DC-11-107	S53DC-65-107
S53DC-11-120	S53DC-65-120
S53DC-11-126	S53DC-65-126
S53DC-11-130	S53DC-65-130
S53DC-11G-107	S53DC-65-107
S53DC-11G-126	S53DC-65-126
S53DC-12-104	S53DC-65-104
S53DC-12-120	S53DC-65-120
S53DC-12-130	S53DC-65-130
S53DC-12-84	S53DC-66-84 CM8
S53DC-14-72	S53DC-66-72
S53DC-14-84	S53DC-66-84
S53DC-14G-72	S53DC-66-72
S53DC-14G-84	S53DC-66-84
S53DC-15-105	S53DC-68-105
S53DC-15-120	S53DC-68-120
S53DC-15-123	S53DC-68-123
S53DC-15-99	S53DC-68-99
S53DC-15G-105	S53DC-68-105
S53DC-15G-120	S53DC-68-120
S53DC-15G-123	S53DC-68-123
S53DC-15G-99	S53DC-68-99
S53DC-19-90	S53DB-12-90
S53DC-3-72	S53DC-66-72

**Crossover and Application Data is for Reference Purpose Only. No Other Conditions are Expressed or Implied.**

**Note: It is the Users Responsibility to Verify if the Replacement Cylinder is Interchangeable.**

**Note: In some applications, modifications may be required for proper cylinder installation.**

**Commercial / Parker**

S53DC-3-84.....	S53DC-66-84
S53DC-4-107.....	S53DC-65-107
S53DC-4-126.....	S53DC-65-126
S53DC-5-107.....	S53DC-65-107
S53DC-5-126.....	S53DC-65-126
S53DC-60-81.....	S53DC-60-81
S53DC-6-105.....	S53DC-68-105
S53DC-6-120.....	S53DC-68-120
S53DC-6-123.....	S53DC-68-123
S53DC-65-104.....	S53DC-65-104
S53DC-6-99.....	S53DC-68-99
S53DC-8-104.....	S53DC-65-104
S53DC-8-120.....	S53DC-65-120
S53DC-8-130.....	S53DC-65-130
S53DC-8-84.....	S53DC-66-84 CM8
S53DC-9-72.....	S53DC-66-72
S53DC-9-84.....	S53DC-66-84
S53MB-1-120.....	S53MB-3-120
S53MB-3-120.....	S53MB-3-120
S53MB-5-90.....	S53MB-5-90
S62CC-15-69.....	S62CC-32-69
S62CC-30-69.....	S62CC-32-69
S63CC-22-111.....	S63DC-97-111
S63CC-22-123.....	S63DC-97-123
S63CC-22-80.....	S63DC-101-77
S63DC-101-130.....	S63DC-96-130
S63DC-101-82.50.....	S63DC-96-82.50
S63DC-22-111.....	S63DC-97-111
S63DC-22-123.....	S63DC-97-123
S63DC-22-80.....	S63DC-101-77
S63DC-22-87.....	S63DC-101-92
S63DC-22-90.....	S63DC-101-92
S63DC-22-95.....	S63DC-101-104
S63DC-23-108.....	S63DC-97-111
S63DC-23-128.....	S63DC-96-130
S63DC-26-111.....	S63DC-97-111
S63DC-27-111.....	S63DC-97-111 CM9
S63DC-28-120.....	S63DC-101-120 CM45
S63DC-30-111.....	S63DC-97-111
S63DC-30-123.....	S63DC-97-123
S63DC-31-107.....	S63DC-101-107 CM37
S63DC-3-111.....	S63DC-97-111
S63DC-31-126.....	S63DC-97-123 CM37
S63DC-32-120.....	S63DC-102-120
S63DC-32-126.....	S63DC-102-126
S63DC-32-138.....	S63DC-102-138
S63DC-32-162.....	S63DC-102-162
S63DC-33-105.....	S63DC-101-107
S63DC-33-120.....	S63DC-101-120
S63DC-33-132.....	S63DC-96-130
S63DC-34-86.....	S63DC-101-86
S63DC-37-82.....	S63DC-96-82.50
S63DC-41-120.....	S63DC-101-120 CM9
S63DC-41-130.....	S63DC-96-130 CM9
S63DC-41-140.....	S63DC-101-140 CM9
S63DC-44-111.....	S63DC-97-111
S63DC-44-123.....	S63DC-97-123
S63DC-44G-111.....	S63DC-97-111
S63DC-44G-123.....	S63DC-97-123
S63DC-45-120.....	S63DC-102-120
S63DC-45-126.....	S63DC-102-126
S63DC-45-138.....	S63DC-102-138
S63DC-45-150.....	S63DC-102-150
S63DC-45-162.....	S63DC-102-162
S63DC-45G-120.....	S63DC-102-120
S63DC-45G-126.....	S63DC-102-126
S63DC-45G-138.....	S63DC-102-138
S63DC-45G-162.....	S63DC-102-162
S63DC-46-107.....	S63DC-101-107 CM37
S63DC-46-126.....	S63DC-97-123 CM37
S63DC-47-104.....	S63DC-101-104
S63DC-47-107.....	S63DC-101-107
S63DC-47-120.....	S63DC-101-120
S63DC-47-126.....	S63DC-101-126
S63DC-47-130.....	S63DC-96-130
S63DC-47-140.....	S63DC-101-140
S63DC-47-150.....	S63DC-101-150
S63DC-47-77.....	S63DC-101-77

**Commercial / Parker**

S63DC-47-82.....	S63DC-96-82.50
S63DC-47-86.....	S63DC-101-86
S63DC-47-92.....	S63DC-101-92
S63DC-47G-104.....	S63DC-101-104
S63DC-47G-107.....	S63DC-101-107
S63DC-47G-120.....	S63DC-101-120
S63DC-47G-126.....	S63DC-101-126
S63DC-47G-130.....	S63DC-96-130
S63DC-47G-140.....	S63DC-101-140
S63DC-47G-77.....	S63DC-101-77
S63DC-47G-82.....	S63DC-96-82.50
S63DC-47G-86.....	S63DC-101-86
S63DC-48-120.....	S63DC-101-120
S63DC-48-130.....	S63DC-96-130 CM9
S63DC-48-140.....	S63DC-101-140 CM9
S63DC-50-105.....	S63DC-101-107
S63DC-50-120.....	S63DC-101-120
S63DC-50-132.....	S63DC-96-130
S63DC-52-77.....	S63DC-101-77
S63DC-53-86.....	S63DC-101-86
S63DC-5-82.....	S63DC-96-82.50 CM11
S63DC-66-111.....	S63DC-96-111
S63DC-66-123.....	S63DC-96-130
S63DC-66-130.....	S63DC-96-130
S63DC-66-82.....	S63DC-96-82.50
S63DC-6-82.....	S63DC-96-82.50 CM11
S63DC-72-130.....	S63DC-96-130
S63DC-76-130.....	S63DC-96-130
S63DC-81-111.....	S63DC-96-111
S63DC-81-82.50.....	S63DC-96-82.50
S63DC-83-103.94.....	S63DC-101-104
S63DC-83-107.....	S63DC-101-107
S63DC-83-120.....	S63DC-101-120
S63DC-83-126.....	S63DC-101-126
S63DC-83-130.....	S63DC-96-130
S63DC-83-140.....	S63DC-101-140
S63DC-83-150.....	S63DC-101-150
S63DC-83-77.....	S63DC-101-77
S63DC-83-82.....	S63DC-96-82.50
S63DC-83-86.....	S63DC-101-86
S63DC-83-92.....	S63DC-101-92
S63DC-84-106.....	S63DC-60-106
S63DC-84-125.....	S63DC-60-125
S63DC-84-79.12.....	S63DC-60-79.12
S63DC-84-92.....	S63DC-60-92
S63DC-86-111.....	S63DC-97-111
S63DC-86-123.....	S63DC-97-123
S63DC-87-120.....	S63DC-102-120
S63DC-87-126.....	S63DC-102-126
S63DC-87-138.....	S63DC-102-138
S63DC-87-150.....	S63DC-102-150
S63DC-87-162.....	S63DC-102-162
S63DC-92-67.....	S63DC-79-67
S63MB-11-108.....	S63MB-11-108
S63MB-1-120.....	S63MB-9-120
S63MB-1-140.....	S63MB-8-140
S63MB-2-120.....	S63MB-9-120
S63MB-5-108.....	S63MB-11-108
S63MB-8-120.....	S63MB-9-120
S63MB-8G-140.....	S63MB-8-140
S63MB-9G-120.....	S63MB-9-120
S64DB-1-135.....	S64DB-12-135
S64DB-1-156.....	S64DB-12-156
S64DB-2-135.....	S64DB-12-135
S64DB-2-156.....	S64DB-12-156
S64DB-3-135.....	S64DB-12-135
S64DB-3-156.....	S64DB-12-156
S64DB-4-135.....	S64DB-12-135
S64DB-4-156.....	S64DB-12-156
S64DB-5-135.....	S64DB-12-135
S64DB-5-156.....	S64DB-12-156
S64DB-6-135.....	S64DB-12-135
S64DB-6-156.....	S64DB-12-156
S64DB-6G-135.....	S64DB-12-135
S64DB-6G-156.....	S64DB-12-156
S64DB-6G-156R.....	S64DB-12-156
S64DC-1-157.....	S64DC-15-157
S64DC-13-157.....	S64DC-15-157

**Commercial / Parker**

S64DC-14-156.....	S64DC-14-156
S64DC-2-157.....	S64DC-15-157
S64DC-4-156.....	S64DC-14-156
S64DC-5-156.....	S64DC-14-156
S64DC-7-157.....	S64DC-15-157
S64DC-7G-157.....	S64DC-15-157
S64DC-9-156.....	S64DC-14-156
S64DC-9G-156.....	S64DC-14-156
S64DD-1-157.....	S64DC-15-157
S64MB-1-140.....	S64MB-4-140
S64MB-4-140.....	S64MB-4-140
S73CC-17-110.....	S73DC-66-110
S73CC-18-119.....	S73DC-66-120 CM38
S73CC-20-119.....	S73DC-66-120 CM11
S73CC-20-124.....	S73DC-66-124 CM11
S73CC-22-110.....	S73DC-66-110
S73CC-22-124.....	S73DC-66-124
S73DC-22-110.....	S73DC-66-110
S73DC-22-124.....	S73DC-66-124
S73DC-30-110.....	S73DC-66-110
S73DC-30-124.....	S73DC-66-124
S73DC-30-129.....	S73DC-66-129
S73DC-32-140.....	S73DC-66-140
S73DC-35-120.....	S73DC-66-120
S73DC-40-110.....	S73DC-66-110
S73DC-40-120.....	S73DC-66-120
S73DC-40-124.....	S73DC-66-124
S73DC-40-129.....	S73DC-66-129
S73DC-40-140.....	S73DC-66-140
S73DC-40-150.....	S73DC-66-150
S73DC-40G-110.....	S73DC-66-110
S73DC-40G-120.....	S73DC-66-120
S73DC-40G-124.....	S73DC-66-124
S73DC-40G-140.....	S73DC-66-140
S73DC-40G-150.....	S73DC-66-150
S73DC-41-129.....	S73DC-66-129
S73DC-41-140.....	S73DC-66-140
S73DC-41G-129.....	S73DC-66-129
S73DC-60-125.....	S73DC-60-125
S73DC-60-142.....	S73DC-60-142
S74CC-22-120.....	S74DC-74-120
S74CC-22-134.....	S74DC-74-135
S74CC-22-161.....	S74DC-74-161
S74DC-22-120.....	S74DC-74-120
S74DC-22-134.....	S74DC-74-135
S74DC-22-161.....	S74DC-74-161
S74DC-30-120.....	S74DC-74-120
S74DC-30-135.....	S74DC-74-135
S74DC-30-138.....	S74DC-74-135
S74DC-30-140.....	S74DC-74-140
S74DC-30-156.....	S74DC-74-156
S74DC-30-161.....	S74DC-74-161
S74DC-3-134.....	S74DC-74-135
S74DC-32-131.....	S74DC-77-135
S74DC-40-120.....	S74DC-74-120
S74DC-40-135.....	S74DC-74-135
S74DC-40-135-OX.....	S74DC-75-135
S74DC-40-138.....	S74DC-74-135
S74DC-40-140.....	S74DC-74-140
S74DC-40-156.....	S74DC-74-156
S74DC-40-161.....	S74DC-74-161
S74DC-40-167.....	S74DC-74-167
S74DC-40-180.....	S74DC-74-180
S74DC-40A-120.....	S74DC-74-120
S74DC-40A-140.....	S74DC-74-140
S74DC-40AG-120.....	S74DC-74-120
S74DC-40AG-140.....	S74DC-74-140
S74DC-40G-135.....	S74DC-74-135
S74DC-40G-156.....	S74DC-74-156
S74DC-40G-161.....	S74DC-74-161
S74DC-40G-180.....	S74DC-74-180
S74DC-41-135.....	S74DC-77-135
S74DC-42-135.....	S74DC-74-135
S74DC-42-156.....	S74DC-74-156
S74DC-42-161.....	S74DC-74-161
S74DC-51-161.....	S74DC-74-161

**Crossover and Application Data is for Reference Purpose Only. No Other Conditions are Expressed or Implied.**

**Note: It is the Users Responsibility to Verify if the Replacement Cylinder is Interchangeable.**

**Note: In some applications, modifications may be required for proper cylinder installation.**

**Commercial / Parker**

S74DC-5-135.....	S74DC-77-135
S74DC-60-165.75.....	S74DC-60-165.75
S74DC-61-135.....	S74DC-75-135
S74DC-6-135.....	S74DC-74-135
S74DC-68-135.....	S74DC-75-135
S74DC-71-161.....	S74DC-74-161
S74DC-72-135.....	S74DC-77-135
S74DC-73-161.....	S74DC-74-161
S74MB-2-154.....	S74MB-3-154
S74MB-3G-154.....	S74MB-3-154
S74MB-3G-172.....	S74MB-3-172
S83DC-26-134.....	S83DC-56-134
S83DC-30-139.....	S83DC-56-139
S83DC-32-139.....	S83DC-56-139
S83DC-33-139.....	S83DC-56-139 CM19
S83DC-40-139.....	S83DC-56-139
S83DC-54-134.62.....	S83DC-56-134
S83DC-6-134.....	S83DC-56-134
S84CC-22-134.....	S84DC-66-140
S84CC-22-149.....	S84DC-66-148
S84CC-22-155.....	S84DC-66-161
S84CC-22-172.....	S84DC-66-180
S84CC-22-183.....	S84DC-66-188
S84CC-23-183.....	S84DC-66-180
S84CC-4-183.....	S84DC-66-188
S84CC-6-134.....	S84DC-66-140
S84CC-6-149.....	S84DC-66-148
S84CC-6-183.....	S84DC-66-180
S84CC-8-166.....	S84DC-66-161 CM38
S84CC-8-183.....	S84DC-66-180 CM38
S84DB-1-186.....	S84DC-66-188 CM22
S84DC-22-134.....	S84DC-66-140
S84DC-22-149.....	S84DC-66-148
S84DC-22-155.....	S84DC-66-161
S84DC-22-161.....	S84DC-66-161
S84DC-22-172.....	S84DC-66-180
S84DC-22-183.....	S84DC-66-180
S84DC-25-134.....	S84DC-66-140
S84DC-25-149.....	S84DC-66-148
S84DC-25-161.....	S84DC-66-161
S84DC-25-183.....	S84DC-66-180
S84DC-30-134.....	S84DC-66-140
S84DC-30-149.....	S84DC-66-148
S84DC-30-161.....	S84DC-66-161
S84DC-30-183.....	S84DC-66-180
S84DC-31-156.....	S84DC-66-156
S84DC-31G-156.....	S84DC-66-156
S84DC-40-134.....	S84DC-66-140
S84DC-40-140.....	S84DC-66-140
S84DC-40-148.....	S84DC-66-148
S84DC-40-149.....	S84DC-66-148
S84DC-40-161.....	S84DC-66-161
S84DC-40-170.....	S84DC-66-170
S84DC-40-180.....	S84DC-66-180
S84DC-40-183.....	S84DC-66-180
S84DC-40-188.....	S84DC-66-188
S84DC-40G-140.....	S84DC-66-140
S84DC-40G-148.....	S84DC-66-148
S84DC-40G-161.....	S84DC-66-161
S84DC-40G-170.....	S84DC-66-170
S84DC-40G-180.....	S84DC-66-180
S84DC-40G-188.....	S84DC-66-188
S84DC-4-134.....	S84DC-66-140
S84DC-4-149.....	S84DC-66-148
S84DC-4-183.....	S84DC-66-188
S84DC-45-134.....	S84DC-66-140
S84DC-45-149.....	S84DC-66-148
S84DC-45-183.....	S84DC-66-180
S84DC-46-134.....	S84DC-66-140
S84DC-46-149.....	S84DC-66-148
S84DC-46-183.....	S84DC-66-180
S84DC-47-148.....	S84DC-66-148
S84DC-7-183.....	S84DC-66-180
S84DC-8-134.....	S84DC-66-140
S84DC-8-149.....	S84DC-66-148
S85CB-3-220.....	S85DC-66-220 CM1
S85CC-22-183.....	S85DC-66-190
S85CC-22-190.....	S85DC-66-190

**Commercial / Parker**

S85CC-22-197.....	S85DC-66-197 CM9
S85CC-22-220.....	S85DC-66-220
S85CC-22-235.....	S85DC-66-235
S85CC-22-250.....	S85DC-66-250
S85CC-23-220.....	S85DC-66-220 CM1
S85CC-23-235.....	S85DC-66-235 CM4
S85CC-24-166.....	S85DC-66-160
S85CC-7-197.....	S85DC-66-197
S85CC-7-220.....	S85DC-66-220
S85CC-8-197.....	S85DC-66-197
S85CC-9-200.....	S85DC-66-197 CM46
S85CC-9-220.....	S85DC-66-220 CM46
S85CC-9-235.....	S85DC-66-235 CM46
S85DB-1-200.....	S85DC-66-197 CM46
S85DB-1-220.....	S85DC-66-220 CM46
S85DB-1-235.....	S85DC-66-235 CM46
S85DB-1-250.....	S85DC-66-250 CM46
S85DB-1-260.....	S85DC-66-265 CM46
S85DB-2-235.....	S85DC-66-235 CM22
S85DB-3-200.....	S85DC-66-197 CM46
S85DB-3-220.....	S85DC-66-220 CM46
S85DB-3-235.....	S85DC-66-235 CM46
S85DB-3-250.....	S85DC-66-250 CM46
S85DB-3-260.....	S85DC-66-265 CM46
S85DC-10-197.....	S85DC-66-197
S85DC-10-220.....	S85DC-66-220
S85DC-12-220.....	S85DC-66-220
S85DC-13-210.....	S85DC-66-220
S85DC-22-176.....	S85DC-66-170
S85DC-22-183.....	S85DC-66-190
S85DC-22-190.....	S85DC-66-190
S85DC-22-197.....	S85DC-66-197
S85DC-22-220.....	S85DC-66-220
S85DC-22-235.....	S85DC-66-235
S85DC-22-250.....	S85DC-66-250
S85DC-23-220.....	S85DC-66-220 CM4
S85DC-23-235.....	S85DC-66-235 CM4
S85DC-25-183.....	S84DC-66-180
S85DC-25-190.....	S85DC-66-190
S85DC-25-250.....	S85DC-66-250
S85DC-30-190.....	S85DC-66-190
S85DC-30-197.....	S85DC-66-197
S85DC-30-220.....	S85DC-66-220
S85DC-30-235.....	S85DC-66-235
S85DC-30-250.....	S85DC-66-250
S85DC-35-190.....	S85DC-66-190
S85DC-35-220.....	S85DC-66-220
S85DC-35-235.....	S85DC-66-235
S85DC-35-250.....	S85DC-66-250
S85DC-36-190.....	S85DC-66-190
S85DC-36-220.....	S85DC-66-220
S85DC-36-235.....	S85DC-66-235
S85DC-36-250.....	S85DC-66-250
S85DC-36-265.....	S85DC-66-265
S85DC-36-280.....	S85DC-66-285
S85DC-40-160.....	S85DC-66-160
S85DC-40-170.....	S85DC-66-170
S85DC-40-190.....	S85DC-66-190
S85DC-40-197.....	S85DC-66-197
S85DC-40-220.....	S85DC-66-220
S85DC-40-235.....	S85DC-66-235
S85DC-40-250.....	S85DC-66-250
S85DC-40-250R.....	S85DC-66-250
S85DC-40-265.....	S85DC-66-265
S85DC-40-285.....	S85DC-66-285
S85DC-40A-220.....	S85DC-66-220
S85DC-40A-265.....	S85DC-66-265
S85DC-40AG-220.....	S85DC-66-220
S85DC-40AG-265.....	S85DC-66-265
S85DC-40G-170.....	S85DC-66-170
S85DC-40G-190.....	S85DC-66-190
S85DC-40G-197.....	S85DC-66-197
S85DC-40G-235.....	S85DC-66-235
S85DC-40G-250.....	S85DC-66-250
S85DC-40G-285.....	S85DC-66-285
S85DC-45-200.....	S85DC-66-197
S85DC-45-220.....	S85DC-66-220
S85DC-45-235.....	S85DC-66-235

**Commercial / Parker**

S85DC-45-250.....	S85DC-66-250
S85DC-46-200.....	S85DC-66-197
S85DC-46-220.....	S85DC-66-220
S85DC-46-235.....	S85DC-66-235
S85DC-46-250.....	S85DC-66-250
S85DC-47-235.....	S85DC-66-235
S85DC-47-250.....	S85DC-66-250
S85DC-50-190.....	S85DC-66-190
S85DC-50-220.....	S85DC-66-220
S85DC-50-235.....	S85DC-66-235
S85DC-50-250.....	S85DC-66-250
S85DC-50-265.....	S85DC-66-265
S85DC-50-280.....	S85DC-66-285
S85DC-51-160.....	S85DC-66-160
S85DC-51-190.....	S85DC-66-190
S85DC-51-220.....	S85DC-66-220
S85DC-51-235.....	S85DC-66-235
S85DC-51-250.....	S85DC-66-250
S85DC-51-265.....	S85DC-66-265
S85DC-51-285.....	S85DC-66-285
S85DC-5-175.....	S85DC-66-170
S85DC-5-197.....	S85DC-66-197
S85DC-52-190.....	S85DC-66-190
S85DC-5-220.....	S85DC-66-220
S85DC-52-220.....	S85DC-66-220
S85DC-52-235.....	S85DC-66-235
S85DC-52-250.....	S85DC-66-250
S85DC-52-265.....	S85DC-66-265
S85DC-52-280.....	S85DC-66-285
S85DC-54-235.....	S85DC-66-235
S85DC-54-250.....	S85DC-66-250
S85DC-54-265.....	S85DC-66-265
S85DC-54-280.....	S85DC-66-285
S85DC-55-190.....	S85DC-66-190
S85DC-55-220.....	S85DC-66-220
S85DC-55-235.....	S85DC-66-235
S85DC-55-250.....	S85DC-66-250
S85DC-55-265.....	S85DC-66-265
S85DC-55-280.....	S85DC-66-285
S85DC-56-190.....	S85DC-66-190
S85DC-56-220.....	S85DC-66-220
S85DC-56-235.....	S85DC-66-235
S85DC-56-250.....	S85DC-66-250
S85DC-56-265.....	S85DC-66-265
S85DC-56-280.....	S85DC-66-285
S85DC-59-190.....	S85DC-66-190
S85DC-59-220.....	S85DC-66-220
S85DC-59-235.....	S85DC-66-235
S85DC-59-250.....	S85DC-66-250
S85DC-59-265.....	S85DC-66-265
S85DC-59-285.....	S85DC-66-285
S85DC-59A-265.....	S85DC-66-265
S85DC-61-190.....	S85DC-66-190
S85DC-61-220.....	S85DC-66-220
S85DC-61-235.....	S85DC-66-235
S85DC-61-250.....	S85DC-66-250
S85DC-61-265.....	S85DC-66-265
S85DC-61-285.....	S85DC-66-285
S85DC-64-160.....	S85DC-66-160
S85DC-64-170.....	S85DC-66-170
S85DC-64-190.....	S85DC-66-190
S85DC-64-197.....	S85DC-66-197
S85DC-64-220.....	S85DC-66-220
S85DC-64-235.....	S85DC-66-235
S85DC-64-250.....	S85DC-66-250
S85DC-64-265.....	S85DC-66-265
S85DC-64-285.....	S85DC-66-285
S85DC-7-200.....	S85DC-66-197
S85DC-7-220.....	S85DC-66-220
S85DC-7-235.....	S85DC-66-235
S85DC-7-250.....	S85DC-66-250
S85DC-8-220.....	S85DC-66-220
S85DC-8-235.....	S85DC-66-235
S85MB-2-197.....	S85MC-48-200
S85MB-3-190.....	S85MC-48-200 CM53
S85MB-3-220.....	S85MC-48-200 CM53
S85MC-22-200.....	S85MC-48-200
S85MC-25-220.....	S85MC-48-220
S85MC-3-200.....	S85MC-48-200

**Crossover and Application Data is for Reference Purpose Only. No Other Conditions are Expressed or Implied.**

**Note: It is the Users Responsibility to Verify if the Replacement Cylinder is Interchangeable.**

**Note: In some applications, modifications may be required for proper cylinder installation.**





**Custom Hoist**

53-459-105	S53DC-68-105
53-459-122	S53DC-68-123
53-459-128	S53DC-68-123
53-5-110	S53DC-65-107
53-52-120	S53DC-68-120
53-52-130	S53DC-65-130 CM2
53-531-110	S53DC-65-107
53-531-130	S53DC-65-126
53-539-84	S53DC-66-84
53-59-105	S53DC-68-105
53-59-122	S53DC-68-123
53-59-128	S53DC-68-123
53-59-99	S53DC-68-99
53-703-120	S53MB-3-120
53-72-104	S53DC-65-104 CM4
53-72-105	S53DC-65-104 CM4
53-72-130	S53DC-65-130 CM4
53-73-89	S53MB-5-90
53-759-105	S53DC-68-105
53-759-122	S53DC-68-123
53-759-128	S53DC-68-123
53-80-120	S53DC-68-120
53-810-81	S53DC-60-81
53-831-110	S53DC-65-107
53-831-130	S53DC-65-126
53-839-104	S53DC-65-104
53-839-72	S53DC-66-72
53-839-84	S53DC-66-84
53-892-106	S53DC-65-104
53-892-72	S53DC-66-72
53-892-84	S53DC-66-84
63-10-120	S63DC-102-120
63-10-127	S63DC-102-126
63-105-110	S63DC-101-107 CM17
63-105-126	S63DC-97-123 CM63
63-105-142	S63DC-101-140 CM17
63-105-144	S63DC-101-140 CM17
63-105-97	S63DC-101-92 CM17
63-1-104	S63DC-101-104 CM43
63-1-105	S63DC-101-104 CM43
63-1-120	S63DC-101-120 CM45
63-1-130	S63DC-96-130 CM43
63-1-137	S63DC-96-130 CM43
63-1-138	S63DC-96-130 CM43
63-129-107	S63DC-60-106
63-129-126	S63DC-60-125
63-129-80	S63DC-60-79.12
63-129-92	S63DC-60-92
63-153-130	S63DC-102-126
63-153-140	S63DC-102-138
63-157-80	S63DC-101-77 CM22
63-171-121	S63DC-102-120
63-171-125	S63DC-102-126
63-171-139	S63DC-102-138
63-172-108	S63DC-60-106
63-172-126	S63DC-60-125
63-179-104	S63DC-101-104 CM43
63-179-88	S63DC-101-86 CM43
63-1-80	S63DC-101-77 CM43
63-180-104	S63DC-101-104
63-180-108	S63DC-101-107
63-180-111S	S63DC-97-111
63-180-126	S63DC-97-123
63-180-130	S63DC-96-130
63-180-137	S63DC-96-130
63-180-88	S63DC-101-86 CM2
63-182-104	S63MB-11-108
63-182-126	S63MB-9-120
63-182-140	S63MB-8-140
63-182-150	S63MB-8-150
63-182-160	S63MB-8-160
63-183-107	S63DC-101-107 CM38
63-183-125	S63DC-101-126 CM38
63-1-84	S63DC-101-86 CM43
63-184-111	S63DC-97-111 CM11
63-184-123	S63DC-97-123 CM11
63-184-140	S63DC-101-140 CM11
63-185-98	S63DC-101-104 CM36

**Custom Hoist**

63-186-121	S63DC-102-120
63-186-125	S63DC-102-126
63-186-139	S63DC-102-138
63-186-160	S63DC-102-162
63-1-88	S63DC-101-86 CM43
63-189-126	S63DC-97-123
63-189-130	S63DC-96-130 CM2
63-189-140	S63DC-101-140 CM2
63-191-130	S63DC-96-130 CM2
63-202-121	S63DC-102-120
63-202-125	S63DC-102-126
63-202-139	S63DC-102-138
63-2-100S	S63DC-101-107 CM2
63-2-102	S63DC-101-104 CM2
63-2-104	S63DC-101-104
63-2-105	S63DC-101-104 CM2
63-2-106	S63DC-101-107 CM2
63-2-108	S63DC-101-107
63-21-108	S63DC-101-107 CM36
63-2-111S	S63DC-97-111
63-21-120	S63DC-101-120 CM36
63-2-120	S63DC-101-120
63-2-126	S63DC-97-123
63-2-130	S63DC-96-130 CM2
63-2-132	S63DC-96-130
63-2-137	S63DC-96-130 CM2
63-2-140	S63DC-101-140
63-2-150	S63DC-101-150
63-2-156	S63DC-101-150
63-22-108	S63DC-101-107 CM36
63-22-120	S63DC-101-120 CM36
63-23-98	S63DC-101-104 CM36
63-27-121	S63DC-102-120
63-27-125	S63DC-102-126
63-27-139	S63DC-102-138
63-27-160	S63DC-102-162
63-2-72S	S63DC-101-77 CM2
63-2-74S	S63DC-101-77 CM2
63-2-84	S63DC-101-86
63-2-84S	S63DC-101-86
63-2-87	S63DC-101-86 CM2
63-2-88	S63DC-101-86 CM2
63-2-90	S63DC-101-86 CM2
63-2-92S	S63DC-101-92
63-2-93	S63DC-101-92
63-2-99S	S63DC-101-104 CM2
63-402-104	S63DC-101-104
63-402-108	S63DC-101-107
63-402-120	S63DC-101-120
63-402-126	S63DC-101-126
63-402-132	S63DC-96-130 CM2
63-402-140	S63DC-101-140
63-402-84	S63DC-101-86
63-4-104	S63MB-11-108
63-4-120	S63MB-9-120
63-4-126	S63MB-9-120
63-4-140	S63MB-8-140
63-4-150	S63MB-8-150
63-4-160	S63MB-8-160
63-44-108	S63DC-101-107 CM2
63-44-120	S63DC-101-120 CM2
63-44-126	S63DC-97-123
63-44-130	S63DC-96-130 CM2
63-44-140	S63DC-101-140 CM2
63-4-96	S63MB-11-108
63-5-107	S63DC-101-107 CM38
63-5-125	S63DC-101-126 CM38
63-53-130	S63DC-96-130 CM2
63-54-120	S63DC-101-120 CM2
63-54-78S	S63DC-101-77 CM2
63-553-130	S63DC-102-126
63-553-140	S63DC-102-138
63-579-104	S63DC-101-104 CM43
63-580-126	S63DC-97-123
63-582-140	S63MB-8-140
63-586-125	S63DC-102-126
63-586-139	S63DC-102-138
63-702-104	S63DC-101-104

**Custom Hoist**

63-702-108	S63DC-101-107
63-702-120	S63DC-101-120
63-702-126	S63DC-101-126
63-702-132	S63DC-96-130
63-702-140	S63DC-101-140
63-702-84	S63DC-101-86
63-8-104	S63DC-101-104 CM11
63-8-111	S63DC-97-111 CM11
63-8-123	S63DC-97-123 CM11
63-8-130	S63DC-101-126 CM11
63-8-140	S63DC-101-140 CM11
63-83-108	S63DC-60-106
63-83-126	S63DC-60-125
63-8-80	S63DC-101-77 CM11
63-8-82	S63DC-96-82.50 CM11
63-882-140	S63MB-8-140
63-8-86	S63DC-101-86 CM11
63-886-121	S63DC-102-120
63-886-125	S63DC-102-126
63-886-139	S63DC-102-138
63-886-150	S63DC-102-150
64-35-135	S64DB-12-135
64-35-156	S64DB-12-156
64-40-156	S64DC-14-156
64-435-135	S64DB-12-135
64-435-156	S64DB-12-156
64-440-156	S64DC-14-156
64-467-156	S64DC-14-156
64-5-156	S64DC-14-156
64-735-135	S64DB-12-135
64-735-156	S64DB-12-156
64-767-156	S64DC-14-156
64-8-156	S64DC-14-156
73-100-110	S73DC-66-110
73-101-130	S73DC-66-129
73-102-150	S73DC-66-150
73-104-124	S73DC-66-124
73-104-130	S73DC-66-129
73-105-140	S74DC-74-140
73-108-130	S73DC-66-129
73-109-120	S73DC-66-120
73-1-110	S73DC-66-110 CM23
73-1-127	S73DC-66-124 CM23
73-1-142	S73DC-66-140 CM23
73-116-140	S73DC-66-140
73-122-150	S73DC-66-150
73-15-115	S73DC-66-110
73-15-130	S73DC-66-129
73-15-135	S73DC-66-129
73-157-141	S73DC-60-142
73-21-120	S73DC-66-120 CM4
73-2-120	S73DC-66-120
73-2-150	S73DC-66-150
73-22-120	S73DC-66-120 CM4
73-25-110	S73DC-66-110 CM4
73-25-120	S73DC-66-120 CM4
73-25-126	S73DC-66-124 CM4
73-26-120	S73DC-66-120
73-26-140	S73DC-66-140
73-26-150	S73DC-66-150
73-28-120	S73DC-66-120
73-28-130	S73DC-66-129
73-28-132	S73DC-66-129
73-28-140	S73DC-66-140
73-28-150	S73DC-66-150
73-29-108S	S73DC-66-110
73-29-110S	S73DC-66-110
73-29-120	S73DC-66-120
73-29-120S	S73DC-66-124
73-29-124	S73DC-66-124
73-29-124S	S73DC-66-129 CM2
73-29-130	S73DC-66-129
73-29-142	S73DC-66-140
73-3-110	S73DC-66-110
73-3-115	S73DC-66-110
73-3-120	S73DC-66-120
73-3-130	S73DC-66-129
73-3-140	S73DC-66-140

**Crossover and Application Data is for Reference Purpose Only. No Other Conditions are Expressed or Implied.**

**Note: It is the Users Responsibility to Verify if the Replacement Cylinder is Interchangeable.**

**Note: In some applications, modifications may be required for proper cylinder installation.**

**Custom Hoist**

73-3-150	S73DC-66-150
73-35-110	S73DC-66-110
73-429-120	S73DC-66-120
73-457-125	S73DC-60-125
73-457-141	S73DC-60-142
73-457-145	S73DC-60-142
73-500-110	S73DC-66-110
73-500-118	S73DC-66-120
73-500-127	S73DC-66-124
73-500-142	S73DC-66-140
73-500-151	S73DC-66-150
73-50-130	S73DC-66-129
73-504-130	S73DC-66-129
73-55-110	S73DC-66-110
73-55-120	S73DC-66-120
73-55-126	S73DC-66-124
73-57-125	S73DC-60-125
73-57-141	S73DC-60-142
73-57-145	S73DC-60-142
73-757-141	S73DC-60-142
73-78-125	S73DC-60-125
73-78-142	S73DC-60-142
73-800-110	S73DC-66-110
73-800-118	S73DC-66-120
73-800-127	S73DC-66-124
73-800-142	S73DC-66-140
73-800-151	S73DC-66-150
73-81-114	S73DC-66-110 CM26
73-81-129	S73DC-66-124 CM26
73-9-110	S73DC-66-110 CM11
73-9-125	S73DC-66-124 CM11
73-9-129	S73DC-66-124 CM11
73-9-130	S73DC-66-129 CM11
73-94-140	S73DC-66-140
74-100-135	S74DC-74-135 CM11
74-100-142	S74DC-74-140 CM11
74-101-161	S74DC-74-161
74-101-167	S74DC-74-167
74-10-123	S74DC-74-120 CM11
74-10-135	S74DC-74-135 CM11
74-10-142	S74DC-74-140 CM11
74-10-156	S74DC-74-156 CM11
74-102-120	S74DC-74-120
74-102-137	S74DC-74-135
74-103-120	S74DC-74-120 CM4
74-103-137	S74DC-74-135 CM2
74-103-167	S74DC-74-161 CM4
74-104-167	S74MB-5-167
74-107-150	S74MB-3-154
74-107-172	S74MB-3-172
74-1-118	S74DC-74-120
74-1-120	S74DC-74-120
74-1-124S	S74DC-74-135
74-1-126	S74DC-74-120
74-1-135	S74DC-74-135
74-1-137	S74DC-74-135
74-1-138	S74DC-74-135
74-1-140	S74DC-74-140
74-1-140S	S74DC-74-140
74-1-144	S74DC-74-140
74-1-146	S74DC-74-140
74-1-156	S74DC-74-156
74-1-160	S74DC-74-156
74-1-161	S74DC-74-161
74-1-163	S74DC-74-161
74-1-167	S74DC-74-161
74-1-174	S84DC-66-170
74-1-176	S84DC-66-170
74-1-180	S74DC-74-180
74-12-120	S74DC-74-120
74-12-137	S74DC-74-140
74-12-144	S74DC-74-140
74-12-156	S74DC-74-156
74-12-161	S74DC-74-161
74-12-167	S74DC-74-161
74-15-135	S74DC-74-135
74-15-140	S74DC-74-140
74-15-156	S74DC-74-156

**Custom Hoist**

74-15-161	S74DC-74-161
74-16-135	S74DC-74-135 CM4
74-21-140	S74DC-74-140 CM2
74-21-156	S74DC-74-156 CM4
74-22-140	S74DC-74-135 CM4
74-22-156	S74DC-74-156 CM4
74-27-135	S74DC-74-135 CM4
74-27-156	S74DC-74-156 CM4
74-28-120	S74DC-74-120
74-28-137	S74DC-74-135
74-28-161	S74DC-74-161
74-28-174	S84DC-66-170
74-31-135	S74DC-74-135 CM4
74-31-167	S74DC-74-161 CM4
74-3-135	S74DC-74-135 CM9
74-3-156	S74DC-74-156 CM9
74-3-182	S74DC-74-180
74-34-120	S74DC-74-120 CM4
74-34-137	S74DC-74-135 CM2
74-34-144	S74DC-74-140 CM4
74-34-156	S74DC-74-156 CM4
74-34-167	S74DC-74-161 CM4
74-36-167	S74MB-5-167
74-37-135	S74DC-74-135
74-37-140	S74DC-74-140
74-37-160	S74DC-74-156
74-401-120	S74DC-74-120
74-401-135	S74DC-74-135
74-401-140	S74DC-74-140
74-401-156	S74DC-74-156
74-401-161	S74DC-74-161
74-401-167	S74DC-74-167
74-401-180	S74DC-74-180
74-46-150	S74MB-3-154
74-46-154	S74MB-3-154
74-46-170	S74MB-3-172
74-498-120	S74DC-74-120
74-498-140	S74DC-74-140
74-498-167	S74DC-74-167
74-499-135	S74DC-77-135
74-504-167	S74MB-5-167
74-535-154	S74MB-3-154
74-63-165	S74DC-60-165.75
74-65-154	S74MB-3-154
74-65-170	S74MB-3-172
74-701-120	S74DC-74-120
74-701-135	S74DC-74-135
74-701-140	S74DC-74-140
74-701-156	S74DC-74-156
74-701-161	S74DC-74-161
74-701-167	S74DC-74-167
74-701-180	S74DC-74-180
74-71-154	S74MB-3-154
74-7-120	S74DC-74-120 CM38
74-7-135	S74DC-77-135
74-7-144	S74DC-74-140 CM38
74-7-164	S74DC-74-161 CM38
74-7-166	S74DC-74-161 CM38
74-80-166	S74DC-60-165.75
74-804-167	S74MB-5-167
74-98-120	S74DC-74-120
74-98-140	S74DC-74-140
74-98-167	S74DC-74-161
74-99-135	S74DC-77-135
74-99-166	S74DC-74-161 CM38
8 1/4 4-10-150	S84DC-66-148 CM2
8 1/4 4-10-190	S84DC-66-188 CM2
8 1/4 4-11-150	S84DC-66-148 CM2
8 1/4 4-20-150	S84DC-66-148 CM2
8 1/4 4-4-150	S84DC-66-148 CM2
8 1/4 4-4-190	S84DC-66-188 CM2
8 1/4 5-20-190	S85DC-66-190
8 1/4 5-20-220	S85DC-66-220
8 1/4 5-20-235	S85DC-66-235
8 1/4 5-20-250	S85DC-66-250
8 1/4 5-20-265	S85DC-66-265
8 1/4 5-21-265	S85DC-66-265
8 1/4 5-26-265	S85DC-66-265

**Custom Hoist**

8 1/4 5-26-270	S85DC-66-265
8 1/4 5-26-285	S85DC-66-285
8 1/4 5-404-220	S85DC-66-220
8 1/4 5-404-235	S85DC-66-235
8 1/4 5-404-250	S85DC-66-250
8 1/4 5-4-190	S85DC-66-190
8 1/4 5-4-220	S85DC-66-220
8 1/4 5-4-235	S85DC-66-235
8 1/4 5-4-250	S85DC-66-250 CM2
8 1/4 5-4-265	S85DC-66-265
8 1/4 5-4-270	S85DC-66-265
8 1/4 5-4-285	S85DC-66-285
83-4-135	S83DC-56-134
83-4-140	S83DC-56-139
83-4-170	S84DC-66-180
84-1-156	S84DC-66-156 CM11
84-13-135S	S84DC-66-140
84-13-140	S84DC-66-140
84-13-148	S84DC-66-148
84-13-150	S84DC-66-148
84-13-150S	S84DC-66-156
84-13-156	S84DC-66-156
84-13-156S	S84DC-66-161
84-13-160	S84DC-66-156
84-13-161	S84DC-66-161
84-13-166	S84DC-66-161
84-13-170	S84DC-66-170
84-13-180	S84DC-66-180
84-13-183	S84DC-66-180
84-13-190	S84DC-66-188
84-14-188	S84DC-66-188 CM9
84-17-150	S84DC-66-148 CM49
84-17-170	S84DC-66-170 CM49
84-17-180	S84DC-66-180 CM49
84-20-140	S84DC-66-140
84-20-150	S84DC-66-148
84-20-175	S84DC-66-170
84-21-140	S84DC-66-140
84-21-156	S84DC-66-156
84-2-140	S84DC-66-140
84-2-150	S84DC-66-148
84-2-156	S84DC-66-156
84-2-160	S84DC-66-156
84-2-165	S84DC-66-161
84-2-170	S84DC-66-170
84-2-174	S84DC-66-170
84-2-181	S84DC-66-180
84-2-188	S84DC-66-188
84-2-190	S84DC-66-188
84-22-140	S84DC-66-140
84-22-156	S84DC-66-156
84-23-156	S84DC-66-156
84-23-170	S84DC-66-170
84-23-190	S84DC-66-188
84-24-140	S84DC-66-140
84-4-140	S84DC-66-140
84-4-166	S84DC-66-161
84-4-180	S84DC-66-180
84-466-148	S84DC-66-148
84-466-156	S84DC-66-156
84-466-160	S84DC-66-156
84-466-161	S84DC-66-161
84-466-166	S84DC-66-161
84-466-170	S84DC-66-170
84-466-180	S84DC-66-180
84-466-183	S84DC-66-180
84-51-188	S84DC-66-188 CM9
84-65-165	S84DC-66-161
84-66-148	S84DC-66-148
84-66-156	S84DC-66-156
84-66-160	S84DC-66-156
84-66-161	S84DC-66-161
84-66-166	S84DC-66-161
84-66-170	S84DC-66-170
84-66-180	S84DC-66-180
84-66-183	S84DC-66-180
84-68-150	S84DC-66-148 CM49
84-69-156	S84DC-66-156

**Crossover and Application Data is for Reference Purpose Only. No Other Conditions are Expressed or Implied.**

**Note: It is the Users Responsibility to Verify if the Replacement Cylinder is Interchangeable.**

**Note: In some applications, modifications may be required for proper cylinder installation.**



**Custom Hoist**

84-7-180	S84DC-66-180 CM21
84-72-188	S84DC-66-188 CM9
85-11-162	S85DC-66-160
85-11-170	S85DC-66-170
85-11-190	S85DC-66-190
85-11-200	S85DC-66-197
85-11-220	S85DC-66-220
85-11-235	S85DC-66-235
85-11-250	S85DC-66-250
85-11-265	S85DC-66-265
85-11-285	S85DC-66-285
85-14-190	S85MC-48-200
85-14-200	S85MC-48-200
85-14-220	S85MC-48-220
85-14-235	S85MC-48-235
85-14-240	S85MC-48-235
85-14-250	S85MC-48-250
85-14-265	S85MC-48-265
85-14-280	S85MC-48-280
85-16-162	S85DC-66-160
85-16-220	S85DC-66-220
85-16-235	S85DC-66-235
85-16-250	S85DC-66-250
85-20-170	S85DC-66-170
85-20-190	S85DC-66-190
85-20-220	S85DC-66-220
85-20-235	S85DC-66-235
85-20-250	S85DC-66-250
85-20-265	S85DC-66-265
85-20-285	S85DC-66-285
85-2-160	S85DC-66-160
85-2-166	S85DC-66-160
85-2-170	S85DC-66-170
85-2-190	S85DC-66-190
85-2-195	S85DC-66-197
85-2-200	S85DC-66-197
85-2-200S	S85DC-66-197
85-2-220	S85DC-66-220
85-2-225	S85DC-66-220
85-2-235	S85DC-66-235
85-2-250	S85DC-66-250
85-2-260	S85DC-66-265
85-2-265	S85DC-66-265
85-2-270	S85DC-66-265
85-2-285	S85DC-66-285
85-28-170	S85DC-66-170
85-28-190	S85DC-66-190
85-28-220	S85DC-66-220
85-28-235	S85DC-66-235
85-28-250	S85DC-66-250
85-28-265	S85DC-66-265
85-28-289	S85DC-66-285
85-3-203	S85DC-66-197 CM46
85-3-235	S85DC-66-235 CM46
85-3-260	S85DC-66-265 CM46
85-3-265	S85DC-66-265 CM46
85-34-162	S85DC-66-160
85-34-170	S85DC-66-170
85-34-190	S85DC-66-190
85-34-200	S85DC-66-197
85-34-220	S85DC-66-220
85-34-235	S85DC-66-235
85-34-250	S85DC-66-250
85-34-265	S85DC-66-265
85-35-220	S85DC-66-220 CM54
85-35-235	S85DC-66-235 CM54
85-402-170	S85DC-66-170
85-402-190	S85DC-66-190
85-402-197	S85DC-66-197
85-402-200	S85DC-66-197
85-402-220	S85DC-66-220
85-402-235	S85DC-66-235
85-402-250	S85DC-66-250
85-4-190	S85DC-66-190 CM49
85-4-220	S85DC-66-220 CM49
85-4-260	S85DC-66-265 CM49
85-4-265	S85DC-66-265 CM49
85-453-265	S85DC-66-265

**Custom Hoist**

85-463-200T	S85MC-48-200
85-463-220T	S85MC-48-220
85-463-235T	S85MC-48-235
85-463-250T	S85MC-48-250
85-463-265T	S85MC-48-265
85-463-280T	S85MC-48-280
85-463-285T	S85MC-48-280
85-466-265	S85DC-66-265
85-466-285	S85DC-66-285
85-499-200	S85MC-48-200
85-499-220	S85MC-48-220
85-499-235	S85MC-48-235
85-499-250	S85MC-48-250
85-499-265	S85MC-48-265
85-499-280	S85MC-48-280
85-5-190	S85DC-66-190
85-5-220	S85DC-66-220
85-5-265	S85DC-66-265
85-5-285	S85DC-66-285
85-53-265	S85DC-66-265
85-54-190	S85MC-48-200
85-54-200	S85MC-48-200
85-54-220	S85MC-48-220
85-54-240	S85MC-48-235
85-54-250	S85MC-48-250
85-6-162	S85DC-66-160
85-6-190	S85DC-66-190
85-6-220	S85DC-66-220
85-6-235	S85DC-66-235
85-6-250	S85DC-66-250
85-6-265	S85DC-66-265
85-63-190T	S85MC-48-200
85-63-200T	S85MC-48-200
85-63-220T	S85MC-48-220
85-63-235T	S85MC-48-235
85-63-240T	S85MC-48-235
85-63-250T	S85MC-48-250
85-63-265T	S85MC-48-265
85-63-280T	S85MC-48-280
85-63-285T	S85MC-48-280
85-66-195	S85DC-66-197
85-66-265	S85DC-66-265
85-66-270	S85DC-66-265
85-66-285	S85DC-66-285
85-67-203	S85DC-66-197 CM46
85-67-265	S85DC-66-265 CM46
85-68-260	S85DC-66-265 CM49
85-68-265	S85DC-66-265 CM49
85-69-265	S85DC-66-265
85-70-265	S85DC-66-265
85-70-285	S85DC-66-285
85-73-285	S85DC-66-285
85-75-265	S85DC-66-265
85-77-265	S85DC-66-265
85-81-200T	S85MC-48-200 CM1
85-81-220T	S85MC-48-220 CM1
85-81-235T	S85MC-48-235 CM1
85-81-250T	S85MC-48-250 CM1
85-81-265T	S85MC-48-265
85-9-162	S85DC-66-160
85-9-166	S85DC-66-160
9 3/4 5-11-190	S95DC-52-190 CM4
9 3/4 5-11-235	S95DC-52-235 CM4
9 3/4 5-11-250	S95DC-52-250 CM4
9 3/4 5-11-265	S95DC-52-265 CM4
9 3/4 5-11-300	S95DC-52-300
9 3/4 5-411-190	S95DC-52-190 CM4
9 3/4 5-411-235	S95DC-52-235 CM4
9 3/4 5-411-250	S95DC-52-250 CM4
9 3/4 5-411-265	S95DC-52-265 CM4
9 3/4 5-411-300	S95DC-52-300
9 3/4 5-4-190	S95DC-52-190
9 3/4 5-4-235	S95DC-52-235
9 3/4 5-4-250	S95DC-52-250
9 3/4 5-4-260	S95DC-52-265
9 3/4 5-4-265	S95DC-52-265
9 3/4 5-4-280	S95DC-52-280
9 3/4 5-4-300	S95DC-52-300

**Custom Hoist**

93-10-110	S93CC-CP112-110
95-11-190	S95DC-52-190
95-11-190S	S95DC-52-190
95-11-200	S95DC-52-190
95-11-235	S95DC-52-235
95-11-250	S95DC-52-250
95-11-260	S95DC-52-265
95-11-260S	S95DC-52-265
95-11-264S	S95DC-52-265
95-11-265	S95DC-52-265
95-11-265S	S95DC-52-265
95-11-270	S95DC-52-265
95-11-280	S95DC-52-280
95-11-285	S95DC-52-280
95-11-300	S95DC-52-300
95-11-300	S95DC-52-320
95-13-265	S95DC-52-265
95-20-235	S95DC-52-235
95-20-250	S95DC-52-250 CM42
95-22-190	S95DC-52-190
95-22-220	S95DC-52-220
95-22-235	S95DC-52-235
95-22-250	S95DC-52-250
95-22-285	S95DC-52-280
95-2-235	S95DC-52-235
95-2-250	S95DC-52-250
95-2-260	S95DC-52-265
95-2-300	S95DC-52-300
95-2-320	S95DC-52-320
95-3-235	S95DC-52-235 CM9
95-3-250	S95DC-52-250 CM9
95-3-260	S95DC-52-265 CM9
95-38-250	S95DC-52-250
95-38-265	S95DC-52-265
95-411-235	S95DC-52-235
95-4-190	S95DC-52-190
95-4-235	S95DC-52-235
95-4-236	S95DC-52-235
95-4-250	S95DC-52-250
95-4-250S	S95DC-52-250
95-4-285	S95DC-52-280
95-461-250	S95DC-52-250
95-461-265	S95DC-52-265
95-461-280	S95DC-52-280
95-461-300	S95DC-52-300
95-461-320	S95DC-52-320
95-53-235	S95DC-52-235
95-53-250	S95DC-52-250
95-53-260	S95DC-52-265
95-53-300	S95DC-52-300
95-53-320	S95DC-52-320
95-54-260	S95DC-52-265 CM9
95-55-250	S95DC-52-250
95-55-285	S95DC-52-280
95-57-270	S95DC-52-265 CM42
95-61-250	S95DC-52-250
95-61-260	S95DC-52-265
95-61-260S	S95DC-52-265
95-61-265	S95DC-52-265
95-61-270	S95DC-52-265
95-61-280	S95DC-52-280
95-61-285	S95DC-52-280
95-61-300	S95DC-52-300
95-61-320	S95DC-52-320
95-6-235	S95DC-52-235 CM42
95-6-250	S95DC-52-250 CM42
95-6-270	S95DC-52-265 CM42
95-63-265	S95DC-52-265
96-11-285	S96DC-2-285
96-19-285	S96DC-2-285
96-20-285	S96DC-2-285
96-21-285	S96DC-2-285
DA25-16-90	D25LD-2-90
DA3 1/2-52-16	D35LD-7-16
DA35-52-16	D35LD-7-16
DA4-126-28	D40DB-7-28.5
DA4-170-25	D40CD-14-25
DA45-63-49	D45CD-5-49.12

**Crossover and Application Data is for Reference Purpose Only. No Other Conditions are Expressed or Implied.**

**Note: It is the Users Responsibility to Verify if the Replacement Cylinder is Interchangeable.**

**Note: In some applications, modifications may be required for proper cylinder installation.**

**Custom Hoist**

DA5 1/2-24-24	D55CC-10-24.25
DA5 1/2-50-24	D55CC-10-24.25
DA5 1/2-51-63	D55CC-6-63
DA5-144-36	D50CC-27-36
DA5-47-27	D50CB-8-27
DA55-24-24	D55CC-10-24.25
DA55-50-24	D55CC-10-24.25
DA55-51-63	D55CC-6-63
DA6 1/4-8-80	D62LB-5-80
DA6-140-79	D60DD-20-79
DA6-156-34	D60CF-3-32.38
DA6-157-30	D60BC-5-30.31 536
DA6-158-42	D60DC-12-42.62
DA6-205-30	D60BC-5-30.31 495
DA6-236-72	D60DB-23-72
DA6-288-42	D60DC-12-42.62
DA6-365-72	D60DB-23-72
DA6-406-30	D60BC-5-30.31 495
DA65-33-80	D62LB-5-80
DA6-68-79	D60DD-20-79
DA6-73-34	D60CD-5-34
DA6-81-30	D60BC-5-30.31 536
DA6-96-72	D60DB-23-72
DA7 1/4-1-80	D72LB-9-80
DA7 1/4-5-80	D72LB-9-80
DA7-107-80	D70LN-5-80
DA7-107-90	D70LN-5-90
DA7-144-80	D70LN-5-80
DA7-144-90	D70LN-5-90
DA7-192-80	D70LN-5-80
DA7-192-90	D70LN-5-90
DA7-241-80	D70LN-5-80
DA7-241-90	D70LN-5-90
DA7-250-152	DA7-250-152
DA725-1-80	D72LB-9-80
DA7-255-80	D70LN-5-80
DA725-5-80	D72LB-9-80
DA7-269-79	D70DD-7-79
DA7-333-79	D70DD-9-79
DA7-43-79	D70DD-9-79
DA7-78-79	D70DD-9-79
DA7-82-78	D70DD-9-79
DAT42-19-112	SD42CC-19-111
DAT42-24-112	SD42CC-19-111
DAT42-58-112	SD42CC-19-111
DAT52-24-112	SD52CC-24-111
DAT52-61-112	SD52CC-24-111
DAT53-125-182	SD53CC-51-182
DAT53-159-156	SD53CD-3-156.88
DAT53-159-168	SD53CD-3-168
DAT53-159-186	SD53CD-3-185.75
DAT53-162-182	SD53CC-51-182
DAT54-3-150	SD64CC-7-152
DAT54-4-118	SD64CC-7-118
DAT54-4-136	SD64CC-7-132
DAT54-5-135	SD64CC-7-132
DAT54-8-118	SD64CC-7-118
DAT54-8-136	SD64CC-7-132
DAT62-1-114	SD62CB-12-114
DAT62-18-79	SD62DB-6-79
DAT62-19-114	SD62CB-12-114
DAT62-2-114	SD62CB-12-114
DAT62-31-114	SD62CB-12-114
DAT62-3-79	SD62DB-6-79
DAT62-55-114	SD62CB-12-114
DAT62-61-79	SD62DB-6-79
DAT62-69-79	SD62DB-6-79
DAT63-120-118	SD63CB-23-118
DAT63-137-118	SD63CB-23-118
DAT63-14-120	SD63DB-14-120
DAT63-145-118	SD63CB-23-118
DAT63-146-120	SD63DB-14-120
DAT63-152-118	SD63CB-23-118
DAT63-155-118	SD63CB-23-118
DAT63-157-118	SD63CB-23-118
DAT63-167-118	SD63CB-23-118
DAT63-209-118	SD63CB-23-118
DAT63-2-118	SD63CB-23-118

**Custom Hoist**

DAT63-37-120	SD63DB-14-120
DAT63-38-118	SD63CB-23-118
DAT63-51-118	SD63CB-23-118
DAT63-63-120	SD63DB-14-120
DAT63-67-118	SD63CB-23-118
DAT63-7-118	SD63CB-23-118
DAT63-95-133	SD63CB-26-132.75
DAT63-95-167	SD63CB-26-167
DAT63-NEED-167	SD63CC-39-167
DAT64-31-136	SD64CC-7-132
DAT64-35-150	SD64CC-7-152
DAT64-53-118	SD64CC-7-118
DAT73-20-120	SD73CC-25-120
DAT73-78-120	SD73CC-25-120
DAT84-11-178	SD84CC-20-178
DAT84-14-152	SD84MC-18-152
DAT84-14-176	SD84MC-18-176
DAT84-38-178	SD84CC-20-178
DAT84-40-178	SD84CC-20-178
DAT84-43-178	SD84CC-20-178
DAT84-50-178	SD84CC-20-178
DAT84-51-152	SD84MC-18-152
DAT84-51-176	SD84MC-18-176
DAT84-57-178	SD84CC-20-178
DAT84-61-178	SD84CC-20-178
DAT85-25-378	SD85CC-19-378
DAT85-26-220	SD85MC-16-220
DAT85-27-220	SD85MC-15-220
DAT85-30-378	SD85CC-19-378
DAT85-36-378	SD85CC-19-378
DAT85-46-220	SD85MC-16-220
DAT85-47-220	SD85MC-15-220
DAT85-51-378	SD85CC-19-378
DAT85-55-378	SD85CC-19-378
DAT85-70-378	SD85CC-19-378
DAT85-72-378	SD85CC-19-378
DAT85-84-378	SD85CC-19-378
DAT85-85-378	SD85CC-19-378
DAT85-93-220	SD85MC-16-220
DAT85-94-220	SD85MC-15-220
DAT9 3/4 6-2-200	SD96CC-3-199
DAT9 3/4 6-3-200	SD96CC-3-199
DAT9 3/4 6-6-199	SD96CC-3-199
DAT9 3/4 6-7-199	SD96CC-3-199
DAT9 3/4 6-8-199	SD96CC-3-199
DAT9 3/4-6-199	SD96CC-3-199
DAT95-27-220	SD95MC-6-220
DAT95-32-160	SD95CC-3-160
DAT95-34-220	SD95MC-6-220
DAT96-10-200	SD96CC-3-199
DAT96-15-480	SD96MC-5-480
DAT96-16-480	SD96MC-5-480
DAT96-17-200	SD96CC-3-199
DAT96-28-480	SD96MC-5-480
DAT96-29-480	SD96MC-5-480
DAT96-37-480	SD96MC-5-480
DAT96-38-480	SD96MC-5-480
DAT96-41-480	SD96MC-5-480
DAT96-4-198	SD96CC-3-199
DAT96-4-199	SD96CC-3-199
DAT96-47-480	SD96MC-5-480
DAT96-48-480	SD96MC-5-480
DAT96-48-492	DAT96-48-492
DAT96-50-480	SD96MC-5-480
DAT96-52-480	SD96MC-5-480
SA4-10-39	S41LC-1-39.38

Daybrook	
90345593	S53DC-65-107
98045556	S73DC-66-120 CM11
98045557	S73DC-66-124 CM11

**Dempster**

AB15905	SD96CC-3-199
AB17393	AB17393
AB19600TH	D60CD-5-34
AB19601TH	D50CB-8-27
AB26635TH	D60CD-5-34

**Dempster**

AB29246	D25LL-16-24
AB29337	D40DD-19-22.50
AB29406	D35CD-10-20
BB6996	D50CB-8-27
BB6997	D60CD-5-34
BB8112	D60CD-5-34
BB8133-1	D60CD-5-34
BB8134-1	D50CB-8-27
BB8235	D50CB-8-27
CB4753	SD96CC-3-199
CB7599	SD96CC-3-199
CB8217	SD96CC-3-199
DB08142	D35CD-10-20
DB1748	SD96CC-3-199
DB4753	SD96CC-3-199
DB5801	SD96CC-3-199
DB8042	D50CB-8-27
DB8043	D60CD-5-34
DB8142	D35CD-10-20
DB8142	D35CD-10-20
DB8362	D25LL-16-24
DB-8362	D25LL-16-24
DB8439	D40DD-19-22.50
DB9467	D40DD-19-22.50
EAST MFG	
501-25065-13	S85DC-66-265
501-25110-03	S73DC-66-110
501-25110-13	S73DC-66-110
501-25120-13	S73DC-66-120
501-25127-03	S73DC-66-124
501-25150-03	S73DC-66-150
501-25150-08	S73DC-66-150
501-25237-03	S74DC-74-135
501-25237-08	S74DC-74-135
501-25237-13	S74DC-74-135
501-25250-13	S73DC-66-150
501-25255-13	S73DC-66-150
501-25261-03	S74DC-74-161
501-25261-08	S74DC-74-161
501-25261-13	S74DC-74-161
501-25437-13	S84DC-66-140
501-25445-13	S84DC-66-148
501-25448-03	S84DC-66-148
501-25448-13	S84DC-66-148
501-25460-03	S84DC-66-161
501-25460-08	S84DC-66-156
501-25460-13	S84DC-66-161
501-25480-03	S84DC-66-180
501-25480-13	S84DC-66-180
501-25520-03	S85DC-66-220
501-25520-08	S85DC-66-220
501-25520-13	S85DC-66-220
501-25535-03	S85DC-66-235
501-25535-08	S85DC-66-235
501-25535-13	S85DC-66-235
501-25550-03	S85DC-66-250
501-25550-08	S85DC-66-250
501-25550-13	S85DC-66-250
501-25562-13	S85DC-66-160
501-25565-03	S85DC-66-265
501-25565-08	S85DC-66-265
501-25565-13	S85DC-66-265
501-25569-10	S95DC-52-250 CM22
501-25570-13	S85DC-66-170
501-25585-03	S85DC-66-285
501-25585-13	S85DC-66-285
501-25590-03	S85DC-66-190
501-25590-13	S85DC-66-190
501-25600-03	S95DC-52-300
501-25600-08	S95DC-52-300
501-25600-13	S95DC-52-300
501-25650-03	S95DC-52-250
501-25665-03	S95DC-52-265
501-25665-13	S95DC-52-265
501-25680-03	S95DC-52-280
501-25680-13	S95DC-52-280

**Crossover and Application Data is for Reference Purpose Only. No Other Conditions are Expressed or Implied.**

**Note: It is the Users Responsibility to Verify if the Replacement Cylinder is Interchangeable.**

**Note: In some applications, modifications may be required for proper cylinder installation.**



<b>Edbro</b>		<b>Fruehauf</b>		<b>Fruehauf</b>	
058003223.....	S53DC-65-104	ECB-2353-12.....	S84DC-66-156	MHC-030665.....	S95DC-52-190 CM42
058003247.....	S53DC-65-120	ECB-2353-13.....	S73DC-66-120 CM4	MHC-030666.....	S84DC-66-170
058003401.....	S63DC-101-107	ECB-2353-14.....	S74DC-74-156 CM4	MHC-030667.....	SD63DB-14-120
058003440.....	S63DC-97-111	ECB-2353-15.....	S63DC-101-120 CM36	MHC-030668.....	S95DC-52-220 CM42
058003488.....	S63DC-101-140	ECB-2353-17.....	S84DC-66-140	MHC-030671.....	S74DC-74-135 CM4
058003820.....	S85DC-66-235	ECB-2353-18.....	S74DC-74-140 CM4	MHC-030673.....	S63MB-8-140
TE11-3-2660.....	S53DC-65-104	ECB-2353-19.....	S84DC-66-148 CM2	MHC-030676.....	S85DC-66-265
TE11-3-2960.....	S53DC-65-120	ECB-2353-20.....	S85DC-66-190	MHC-030680.....	S74DC-77-135
TE14-3-2670.....	S63DC-101-107	ECB-2353-21.....	S63DC-101-107 CM36	MHC-030682.....	S74DC-74-120 CM4
TE14-3-2850.....	S63DC-97-111	ECB-2353-22.....	S63DC-101-104 CM36	MHC-030684.....	S95DC-52-250 CM42
TE14-3-3450.....	S63DC-101-140	ECB-2353-23.....	S84DC-66-140	MHC-030685.....	S63MB-11-108
TE18-5-6170.....	S85DC-66-235	ECB-2353-24.....	S95DC-52-250	MHC-030686.....	S85DC-66-190
		ECB-2353-25.....	S95DC-52-265	MHC-030692.....	S73DC-66-140 CM4
<b>Energy</b>		ECB-2353-26.....	S85DC-66-250	TWC-1391-1.....	S85DC-66-220
A277.....	D60DB-23-72	ECB-2353-27.....	S85DC-66-235	TWC-1391-10.....	S85DC-66-170
A3525.....	D70LN-5-80	ECB-2353-28.....	S85DC-66-220	TWC-1391-12.....	S84DC-66-156
A6430.....	D60DB-23-72	ECB-2353-29.....	S95DC-52-250	TWC-1391-13.....	S73DC-66-120 CM4
		ECB-2353-29.....	S85DC-66-265	TWC-1391-14.....	S74DC-74-156 CM4
<b>Esp Mfg / Dragon</b>		ECB-2353-3.....	S84DC-66-148	TWC-1391-15.....	S63DC-101-120 CM36
243-7004.....	SD63CB-23-118	ECB-2353-30.....	S85DC-66-235 CM2	TWC-1391-17.....	S84DC-66-140
		ECB-2353-31.....	S85DC-66-250 CM2	TWC-1391-18.....	S74DC-74-140 CM2
<b>Everlite</b>		ECB-2353-32.....	S85DC-66-265 CM2	TWC-1391-19.....	S84DC-66-148 CM2
9055001.....	S85DC-66-265	ECB-2353-33.....	S95DC-52-265	TWC-1391-2.....	S85DC-66-190
9055004.....	S85DC-66-190	ECB-2353-35.....	S96DC-2-285	TWC-1391-20.....	S63DC-101-107 CM36
9055008.....	S85DC-66-250	ECB-2353-37.....	S85DC-66-265 CM2	TWC-1391-21.....	S63DC-101-104 CM36
9055010.....	S85DC-66-220	ECB-2353-38.....	S84DC-66-148	TWC-1391-22.....	S84DC-66-140
9055025.....	S74DC-74-161	ECB-2353-39.....	S85DC-66-265	TWC-1391-23.....	S95DC-52-250
9055039.....	S84DC-66-161	ECB-2353-41.....	S63DC-101-120 CM36	TWC-1391-24.....	S95DC-52-235
		ECB-2353-42.....	S85DC-66-190	TWC-1391-25.....	S95DC-52-190
<b>Fontaine</b>		ECB-2353-43.....	S85DC-66-190 CM2	TWC-1391-27.....	S85DC-66-220
53110.....	S53DC-65-107 CM27	ECB-2353-44.....	S85DC-66-220 CM2	TWC-1391-29.....	S85DC-66-265
5385.....	S53DB-18-90	ECB-2353-45.....	S96DC-2-285	TWC-1391-3.....	S84DC-66-148
63110.....	S63DC-101-107 CM17	ECB-2353-46.....	S95DC-52-250 CM42	TWC-1391-35.....	S96DC-2-285
63126.....	S63DC-97-123 CM63	ECB-2353-47.....	S95DC-52-220	TWC-1391-37.....	S85DC-66-265
63142.....	S63DC-101-140 CM17	ECB-2353-48.....	S95DC-52-235	TWC-1391-38.....	S84DC-66-148
6385.....	S63DC-101-86 CM17	ECB-2353-5.....	S85DC-66-250 CM2	TWC-1391-46.....	S95DC-52-250 CM42
6397.....	S63DC-101-92 CM17	ECB-2353-52.....	S95DC-52-280	TWC-1391-47.....	S95DC-52-220
73110.....	S73DC-66-110 CM20	ECB-2353-53.....	S95DC-52-250 CM42	TWC-1391-48.....	S95DC-52-235
73115.....	S73DC-66-110 CM20	ECB-2353-54.....	S85DC-66-190	TWC-1391-5.....	S85DC-66-250
73126.....	S73DC-66-124 CM20	ECB-2353-55.....	S85DC-66-220	TWC-1391-6.....	S85DC-66-235
73142.....	S73DC-66-140 CM20	ECB-2353-56.....	S85DC-66-190	TWC-1391-7.....	S85DC-66-220
84142.....	S84DC-66-140 CM20	ECB-2353-57.....	S85DC-66-220	TWC-1391-8.....	S85DC-66-190
84152.....	S84DC-66-148 CM20	ECB-2353-6.....	S85DC-66-235 CM2	TWC-1391-9.....	S85DC-66-250
84164.....	S84DC-66-156 CM20	ECB-2353-7.....	S85DC-66-220 CM2	TWC-1391-X.....	S85DC-66-235
84172.....	S84DC-66-170 CM20	ECB-2353-706.....	S85DC-66-235	TWC-1392-2.....	S85DC-66-190
84188.....	S84DC-66-180 CM20	ECB-2353-724.....	S95DC-52-265	TWC-1392-3.....	S84DC-66-148
85172.....	S85DC-66-160 CM18	ECB-2353-8.....	S85DC-66-190 CM2	TWC-1392-9.....	S85DC-66-250
85197.....	S85DC-66-190 CM53	ECB-2353-9.....	S85DC-66-250	TWC-1392-X.....	S85DC-66-235
DCH-31-351.....	S85DC-66-190 CM53	ECBH2353-1.....	S85DC-66-220	TWC-1411-1.....	S84DC-66-156
DCH-31-359.....	S85DC-66-160 CM18	ECBH2353-10.....	S85DC-66-170	TWC-1411-2.....	S73DC-66-120 CM4
DCH-31-374.....	S84DC-66-156 CM20	ECBH2353-12.....	S84DC-66-148	TWC-1411-3.....	S74DC-74-156 CM4
DCH-31-388.....	S84DC-66-148 CM20	ECBH2353-2.....	S85DC-66-190	TWC-1411-4.....	S63DC-101-120 CM36
DCH-31-413.....	S84DC-66-170 CM20	ECBH2353-29.....	S85DC-66-265	TWC-1411-5.....	S84DC-66-140
DCH-31-427.....	S73DC-66-140 CM20	ECBH2353-3.....	S84DC-66-140	TWC-1411-6.....	S74DC-74-135 CM4
DCH-31-433.....	S73DC-66-124 CM20	ECBH2353-5.....	S85DC-66-250 CM2	TWC-1411-7.....	S63DC-101-107 CM36
DCH-31-439.....	S73DC-66-110 CM20	ECBH2353-54.....	S85DC-66-190		
DCH-31-462.....	S84DC-66-140 CM20	ECBH2353-55.....	S85DC-66-220	<b>G&amp;H Mfg</b>	
DCH-31-476.....	S63DC-101-140 CM17	ECBH2353-58.....	S85DC-66-197	020210.....	D70DD-9-79
DCH-31-483.....	S63DC-97-123 CM63	ECBH2353-6.....	S85DC-66-235 CM2	50393.....	D70DD-9-79
DCH-31-487.....	S63DC-101-107 CM17	ECBH2353-9.....	S85DC-66-250	6040004A.....	D60DD-20-79
DCH-31-491.....	S63DC-101-92 CM17	ECBH2353-X.....	S85DC-66-235	7X116GH22778.....	SD73DB-10-115
DCH-31-495.....	S63DC-101-86 CM17	ECC-3366-1.....	S63DC-101-107 CM16	A4456.....	D45DD-8-16.75
DCH-31-499.....	S53DC-65-107 CM27	ECC-3366-2.....	S63DC-101-120 CM16	AM1161.....	D70DD-9-79
DCH-31-507.....	S53DB-18-90	ECC-3366-3.....	S63DC-96-130 CM16	AM-1161.....	D70DD-9-79
DCH-31-519.....	S84DC-66-180 CM20	ECE-7681-2.....	S73DC-66-120 CM4	AM1162.....	D60DD-20-79
DCH-31-536.....	S73DC-66-110 CM20	ECE-7681-3.....	S74DC-74-156 CM4	AM-1162.....	D60DD-20-79
		ECE-7681-4.....	S63DC-101-120 CM36	FA1001.....	D60DD-20-79
		ECE-7681-6.....	S74DC-74-140 CM4	FA1002.....	D70DD-9-79
<b>Fruehauf</b>		ECE-7681-7.....	S63DC-101-107 CM36	H1014.....	D70DD-9-79
251147.....	S84DC-66-170	ECE-7681-8.....	S74DC-74-140 CM4	H1015.....	D60DD-20-79
251147-2.....	S84DC-66-170	MCU-007401-140.....	S74DC-74-140	H1020.....	D40CD-16-29.50
ECA-8950.....	S85MC-48-220	MCU-008413-170.....	S84DC-66-170	H1238.....	D45DD-8-16.75
ECA-8951.....	S85MC-48-235	MCU-008502-190.....	S85DC-66-190	H2208.....	SD73DB-10-115
ECA-9287.....	S85MC-48-200	MCU-008520-250.....	S85DC-66-250	H2985.....	D60DD-20-79
ECB-009287.....	S85MC-48-200	MCU-574DC4-16.....	S74DC-74-161	H3291.....	D60DD-20-79
ECB-2353 X.....	S85DC-66-235	MHC-030656.....	S53MB-3-120	H3292.....	D70DD-9-79
ECB-2353-1.....	S85DC-66-220	MHC-030657.....	S95DC-52-235 CM42	H3930.....	H3930
ECB-2353-10.....	S85DC-66-170	MHC-030663.....	S84DC-66-156	H5166.....	SD73DB-10-115
ECB-2353-101.....	S85DC-66-220				

**Crossover and Application Data is for Reference Purpose Only. No Other Conditions are Expressed or Implied.**

**Note: It is the Users Responsibility to Verify if the Replacement Cylinder is Interchangeable.**

**Note: In some applications, modifications may be required for proper cylinder installation.**

**G&H Mfg**

H5176	D70DD-9-79
H5393	SD73DB-10-115
P1331	D60DD-20-79
PH-020-002	D40CD-16-29.50
PH-020-168	D60DD-20-79
PH-020-201	D70DD-9-79

**Galbreath**

1039	D60DB-23-72
1043	D60DB-23-72
1054	D70LN-5-80
1111	SD63CB-23-118
1126	D60DB-23-72
2419	SD62CB-12-114
2455	D70LN-5-90
2460	D70LN-5-80
2463	D70LN-5-90
3116	SD62CB-12-114
3139	SD62CB-12-114
3412	D60DB-23-72
3891	D40CD-16-29.50
3902	SD62CB-12-114
9846	D70LN-5-90
9920	D60DB-23-72
9921	D70LN-5-80
A1002	S84DC-66-188
A1011	S84DC-66-170
A1056	SD85CC-19-378
A1206	S85DC-66-265
A1430	S84DC-66-156
A1527	D60DB-23-72
A1529	D70LN-5-80
A1536	S84DC-66-148
A1537	S84DC-66-170
A1538	S85DC-66-190
A1539	S85DC-66-220
A1540	S85DC-66-235
A1541	S85DC-66-250
A1542	S85DC-66-265
A1587 (95300)	S95DC-52-300
A1606	SD63CB-23-118
A1717	D70LN-5-80
A1745	SD63CB-23-118
A1793	D60DB-23-72
A1825 (84148)	S84DC-66-148
A1826 (84170)	S84DC-66-170
A1827 (85190)	S85DC-66-190
A1828 (85220)	S85DC-66-220
A1829 (85235)	S85DC-66-235
A1830 (85250)	S85DC-66-250
A1831 (85265)	S85DC-66-265
A1897	D70LN-5-80
A1898	D70LN-5-90
A1905	S95DC-52-235
A1961	S95DC-52-220
A1968	D70LN-5-80
A1969	D70LN-5-90
A2083	SD62CB-12-114
A2190	D40CD-16-29.50
A2349	S85DC-66-285
A2564	S95DC-52-250
A2870	S85DC-66-285
A3137	D60DB-23-72
A3147	D70LN-5-80
A3149	D70LN-5-90
A3167	SD62CB-12-114
A3173	SD63CB-23-118
A3377	SD62CB-12-114
A3383	SD63CB-23-118
A3701	SD63CB-23-118
A4543	D60DD-20-79
A4545	D70DD-9-79
A5325	D70LN-5-80
A5331	D60DB-23-72
B1043	D60DB-23-72
B2455	D70LN-5-90
B2460	D70LN-5-80

**Galfab**

PC145	D70LN-5-80
PC150	D70LN-5-90
PC5	SD63CB-23-118

**Godwin**

5384-C	S53DC-66-84
5384-H	S53DC-66-84
63120-H	S63DC-97-123
63123-C	S63DC-97-123
73124-C	S73DC-66-124
73124-H	S73DC-66-124
74135-C	S74DC-74-135
74135-H	S74DC-74-135
G5390T	S53MB-5-90

**Great Bend**

13804GB	SD85MC-15-220
---------	---------------

**Green Mfg**

600-2570	D55CC-10-24.25
600-2602	D50CC-27-36
600-2812	S41LC-1-39.38
600-2831	D60BC-5-30.31 495
600-3193	D30LL-6-36
600-3194	D35LC-1-60
600-3195	D35LC-1-80

**Heil**

1-1344	SD64CC-7-132
1-1766	S53DC-68-105
1-1972	S53DC-68-99
1-1973	S53DC-68-120
1-1974	S53DC-68-123
1-2039	S52CC-41-54.62
1-2039-1	S52CC-41-54.62
1-2043	S63DC-102-120
1-2044	S63DC-102-126
1-2123	SD64CC-7-152
1-2298	S63DC-102-138
1-2624	S63DC-102-162
1-2634	S63DC-102-162
1-3058	S53DC-68-120
1-3139	S53DC-68-123
1-3140	S53DC-68-99
1-3141	S53DC-68-105
1-3177	S63DC-102-120
1-3178	S63DC-102-126
1-3179	S63DC-102-138
1-3180	S63DC-102-162
1-3391	SD64CC-7-118
1-3484	S53DC-68-105
1-3689	SD96CC-3-199
1-3717	D25LD-2-90
1-3727	D30CA-2-3.62
1-3830	SD64CC-7-132
1-3836	SD64CC-7-118
1-3843	SD64CC-7-152
1-3860	S53DC-68-123
1-3871	SD64CC-7-132
1-3878	S63DC-96-130
1-3887	S53DC-68-99
1-3888	S53DC-68-105
1-3889	S53DC-68-120
1-3890	S53DC-68-123
1-3891	S63DC-102-120
1-3892	S63DC-102-126
1-3893	S63DC-102-138
1-3983	S53DC-68-99
1-3984	S53DC-68-105
1-3985	S53DC-68-120
1-3986	S53DC-68-123
1-3998	S63DC-102-120
1-3999	S63DC-102-126
1-4000	S63DC-102-138
1-4001	S63DC-102-162
1-4050	SD64CC-7-132
1-4053	SD64CC-7-118
1-4054	SD64CC-7-152

**Heil**

1-4137	S53DC-68-99
1-4138	S53DC-68-105
1-4139	S53DC-68-120
1-4140	S53DC-68-123
1-4141	S63DC-102-120
1-4142	S63DC-102-126
1-4143	S63DC-102-138
1-4144	S63DC-102-162
1-4347	D55CC-10-24.25
1-4807	S52CC-41-54.62
1-4815	S53DC-68-120
1-4824	D50CC-27-36
1-4828	D50CC-27-36
1-4868	D40CD-14-25
1-4884	D50CC-27-36
1-4887	D55CC-10-24.25
1-4891	S52DB-9-67.50
1-4903	D40CD-8-22
1-4915	D50CC-24-34.19
1-5070	SD53CC-51-151.5
1-5088	D30CC-17-28.19
1-5098	D45CC-19-41.50
1-5110	D50CC-27-36
1-5111	D55CC-10-24.25
1-5146	D55CC-6-63
1-5147	SD53CC-51-182
1-5149	SD53CC-51-151.5
1-5150	D45CC-19-41.50
1-5173	S53MB-3-120
1-5174	S63MB-9-120
1-5175	S63MB-8-140
1-6067	SD53CC-51-182
1-6069	D40CD-13-37
1-6070	D30CC-13-21.62
1-6076	SD53CC-51-182
1-6078	SD53CC-51-151.5
1-6093	D30CC-27-27.50
1-6117	S63DC-79-67
1-6121	S52DB-9-67.50
1-6122	S53MB-3-120
1-6126	D40CC-27-19
1-6135	S63MB-9-120
1-6142	D30CC-13-21.62
1-6152	S63MB-8-140
1-6153	D30CA-2-3.62
1-6155	S63DC-102-150
1-6157	S52CC-41-54.62
1-6160	D30CC-20-8.00
1-6161	D30CC-19-16.00
1-6162	D17AE-2-71.88
1-6163	D30CE-11-18.50
1-6164	D50CC-25-43
1-6169	D30CC-18-8.00
1-6184	S63MB-8-160
1-6191	S52CC-41-54.62
1-6194	D17AE-2-71.88
1-6230	D55CC-6-63
1-6247	SD53CC-51-182
1-6248	D30CC-27-27.50
1-6252	SD53CC-51-151.5
1-6298	D30CC-27-27.50
1-6316	SD53CC-51-151.5
1-6318	SD53CC-51-182
1-6330	D30CC-18-8.00
1-6331	D30CC-18-8.00
1-6369	D40CD-14-25
1-6370	D45CC-19-41.50
1-6384	D40CD-8-22
1-6385	D40CC-27-19
1-6386	D25LD-2-90
1-6388	D45CC-19-41.50
1-6399	D17AE-2-71.88
1-6402	D30CC-18-8.00
1-6403	D17AE-2-71.88
1-6404	D30CC-19-16.00
1-6405	D30CE-11-18.50
1-6406	D50CC-25-43
1-6407	D30CC-20-8.00

**Crossover and Application Data is for Reference Purpose Only. No Other Conditions are Expressed or Implied.**

**Note: It is the Users Responsibility to Verify if the Replacement Cylinder is Interchangeable.**

**Note: In some applications, modifications may be required for proper cylinder installation.**

**Heil**

1-6416	D30CC-18-8.00
1-6425	S52CC-41-67.25
1-6427	SD64DC-7-133.12
1-6445	S52CC-41-54.62
1-6456	D55CC-9-35.88
1-6457	D55CC-7-24
1-6521	D30CC-17-28.19
1-6522	D30CA-2-3.62
1-6525	D55CC-6-63
1-6554	D30CE-11-18.50
1-6560	D50CC-24-34.19
1-6581	D50CC-25-43
1-6597	SD53CC-51-182
1-6598	SD53CC-51-151.5
1-6610	D50CC-27-36
1-6611	D55CC-10-24.25
1-6666	D32CC-15-16
1-6669	D40CD-14-25
1-6670	D40CD-8-22
1-6671	D40CC-27-19
1-6703	S53DC-68-123
1-6704	S63DC-102-126
1-6705	S63DC-102-138
1-6711	S53DC-68-105
1-6712	S53DC-68-120
1-6714	S63DC-102-120
1-6715	S63DC-102-150
1-6716	S63DC-102-162
1-6720	D30CA-2-3.62
1-6721	D30CC-17-28.19
1-6757	D17AE-2-71.88
1-6767	D32CC-15-16
1-6777	D40CD-14-25
1-6813	D45CC-19-41.50
1-6819	D30CC-27-27.50
1-6445	S52CC-41-54.62

**Henderson Mfg**

80960	S74DC-74-140
-------	--------------

**Hercules Hyd**

HMW-3016	D30DD-16-16.00
SHC-M32DB-43	S32DB-3-42.62 CM72
SHC-M32DB-50	S32DB-3-50 CM72
SHC-M42DB-43	S42DB-8-43 CM72
SHC-M42DB-50	S42DB-8-51 CM72
SHC-M43DB-75	S43DB-3-75 CM72
SHC-M53DB-60	S53DB-13-60
SHC-M53MB-90	S53MB-5-90

**Hilbilt / Commercial**

SA63DB-1-110	S63DC-101-107 CM26
SA63DB-1-120	S63DC-101-120 CM26
SA63DB-1-130	S63DC-96-130 CM26
SA63DB-1-140	S63DC-101-140 CM26

**Huge Haul**

01-0207	SD63CB-23-118
4-01-0207	SD63CB-23-118

**HycO**

010-9901	D25LL-14-42
010-9901-4	D25LL-14-42
010-9902	D25LL-15-84
010-9902-4	D25LL-15-84
014-0208-0	D35CD-11-19
014-9900	D35LD-5-19
014-9900-4	D35LD-5-19
016-6091	D45LD-7-45.38
016-9900	D40CL-13-45.38
016-9900-0	D40CL-13-45.38
018-9900	D45LD-7-45.38
018-9900-4	D45LD-7-45.38
020-9900	D50DD-25-40
020-9900-0	D50DD-25-40
024-0310-0	D60DD-20-79
028-0314-0	D70DD-9-79
095-6024-2	SD53CD-3-156.88

**HycO**

095-6024-4	SD53CD-3-156.88
095-6029	SD53CD-3-168
095-6029-2	SD53CD-3-168
095-6029-4	SD53CD-3-168
095-6038	SD53CD-3-185.75
10000-84-140	S84DC-66-140
10000-84-148	S84DC-66-148
10000-84-156	S84DC-66-156
10000-84-175	S84DC-66-170
10000-85-190	S85DC-66-190
10000-85-220	S85DC-66-220
10001-85-235	S85DC-66-235
10001-85-250	S85DC-66-250
10002-73-120	S73DC-66-120 CM4
10002-74-140	S74DC-74-140 CM4
10002-74-156	S74DC-74-156 CM4
10002-74-175	S84DC-66-170
10003-63-108	S63DC-101-107 CM36
10003-63-120	S63DC-101-120 CM36
10003-63-98	S63DC-101-104 CM36
10004-84-156	S84DC-66-156
10004-84-190	S84DC-66-188
10014-825-190	S85DC-66-190
10014-825-220	S85DC-66-220 CM2
10015-825-235	S85DC-66-235
10015-825-250	S85DC-66-250
10016-84-180	S84DC-66-180 CM21
10023-85-200	S85DC-66-197 CM46
10023-85-205	S85DC-66-197 CM46
10023-85-220	S85DC-66-220 CM46
10027-63-102	S63DC-101-104
10027-63-108	S63DC-101-107
10027-63-120	S63DC-101-120
10027-63-132	S63DC-96-130
10027-63-156	S63DC-101-150
10027-63-84	S63DC-101-86
10027-63-90	S63DC-101-86
10027-64-156	S64DC-14-156
10029-85-235	S85DC-66-235
10029-85-250	S85DC-66-250
10038-85-190T	S85MC-48-200
10038-85-220T	S85MC-48-220
10041-74-118	S74DC-74-120
10041-74-138	S74DC-74-135
10042-85-170	S85DC-66-170
10048-63-140T	S63MB-8-140
10050-73-120	S73DC-66-120 CM38
10050-73-135	S73DC-66-129 CM38
10050-74-135	S74DC-77-135
10050-74-140	S74DC-77-135
10050-74-164	S74DC-74-161 CM38
10051-74-154T	S74MB-3-154
10051-74-172T	S74MB-3-172
10052-53-120T	S53MB-3-120
10053-42-90T	S42MB-3-90
10054-85-190T	S85MC-48-200 CM53
10054-85-200T	S85MC-48-200 CM53
10054-85-220T	S85MC-48-220 CM53
10060-63-120T	S63MB-9-120
10060-63-140T	S63MB-8-140
10060-64-140T	S64MB-4-140
10076-63-108	S63DC-101-107 CM16
10076-63-120	S63DC-101-120 CM16
10097-84-140H	S84DC-66-140
10097-84-156H	S84DC-66-156
10098-73-120H	S73DC-66-120 CM4
10098-74-140H	S74DC-74-140 CM4
10098-74-156H	S74DC-74-156 CM4
10099-63-108H	S63DC-101-107 CM36
10099-63-120H	S63DC-101-120 CM36
10127-64-140H	S74DC-74-140 CM4
10156-935-190	S95DC-52-190 CM42
10156-935-220	S95DC-52-220 CM42
10156-935-235	S95DC-52-235 CM42
10156-935-250	S95DC-52-250 CM42
1054A-87654-204	S85DC-66-197 CM9
1109A-87654-235	S85MC-48-235
1139A-543-119	S53MB-3-120

**HycO**

1139A-543-120	S53MB-3-120
1139A-543-120T	S53MB-3-120
1139A-654-104	S63MB-11-108
1139A-654-108	S63MB-11-108
1139A-654-110	S63MB-11-108
1139A-654-119	S63MB-9-120
1139A-654-140	S63MB-8-140
1139A-6543-140	S64MB-4-140
1139A-7654-150	S74MB-3-154
1139A-7654-154	S74MB-3-154
1168A-87654-190	S85MC-48-200
1168A-87654-220	S85MC-48-220
1174A-87654-190T	S85MC-48-200 CM53
1174A-87654-200T	S85MC-48-200 CM53
1174A-87654-220T	S85MC-48-220 CM53
1221A-654-119	S63DC-101-120
1221A-7654-119	S74DC-74-120
1221A-7654-137	S74DC-74-135
1221A-8765-137	S84DC-66-140
1221A-87654-166	S85DC-66-170
1221A-87654-195	S85DC-66-190
1221A-87654-220	S85DC-66-220
1296A-975-8765-190	S95DC-52-190 CM42
1296A-975-8765-220	S95DC-52-220 CM42
1296A-975-8765-235	S95DC-52-235 CM42
1296A-975-8765-250	S95DC-52-250 CM42
1315A-87654-235	S85DC-66-235
1317A-7654-175	S84DC-66-170
1317A-8765-150	S84DC-66-148
1317A-8765-175	S84DC-66-170
1317A-87654-190	S85DC-66-190
1317A-87654-220	S85DC-66-220
1325A-825-765-150	S84DC-66-148 CM2
1325A-825-765-182	S84DC-66-180
1325A-825-7654-170	S85DC-66-170 CM2
1325A-825-7654-190	S85DC-66-190
1325A-825-7654-195	S85DC-66-190 CM2
1325A-825-7654-204	S85DC-66-197 CM2
1325A-825-7654-220	S85DC-66-220
1325A-825-7654-235	S85DC-66-235
1325A-825-7654-250	S85DC-66-250
1325A-825-7654-252	S85DC-66-250 CM2
1395A-8765-148	S84DC-66-148 CM21
1395A-8765-160	S84DC-66-156 CM21
1395A-8765-164	S84DC-66-161 CM21
1395A-8765-180	S84DC-66-180 CM21
1395A-8765-182	S84DC-66-180 CM21
1395A-87654-195	S85DC-66-190 CM21
1395A-87654-220	S85DC-66-220 CM21
1427A-654-104	S63DC-101-104 CM9
1503A-7654-119	S74DC-74-120 CM26
1503A-7654-135	S74DC-74-135 CM26
1503A-8765-153	S84DC-66-148 CM19
1542A-87654-250	S85DC-66-250
1548A-654-108	S63DC-101-107 CM16
1548A-654-119	S63DC-101-120 CM16
1584A-87654-170	S85DC-66-170
1617A-87654-220	S85DC-66-220
1672A-654-120	S63DC-101-120
1741A-87654-220	S85DC-66-220
1761A-654-120	SD63DB-11-120
1788A-8765-182	S84DC-66-180
1788A-87654-220	S85DC-66-220
1913A-654-108	S63DC-101-107 CM36
1913A-654-120	S63DC-101-120 CM36
1913A-765-120	S73DC-66-120 CM4
1913A-7654-141	S74DC-74-140 CM4
1913A-7654-156	S74DC-74-156 CM4
1913A-8765-141	S84DC-66-140
1913A-8765-156	S84DC-66-156
1920A-765-120	S73DC-66-120 CM38
1920A-765-135	S73DC-66-129 CM38
1920A-7654-135	S74DC-77-135
1920A-7654-140	S74DC-77-135
1920A-7654-164	S74DC-74-161 CM38
1936A-765-140	S73DC-66-140
1942A-8765-156	S84DC-66-156
1942A-8765-190	S84DC-66-188

**Crossover and Application Data is for Reference Purpose Only. No Other Conditions are Expressed or Implied.**

**Note: It is the Users Responsibility to Verify if the Replacement Cylinder is Interchangeable.**

**Note: In some applications, modifications may be required for proper cylinder installation.**



**Hyco**

1942A-87654-220	S85DC-66-220
1967A-7654-158	S74DC-74-156 CM45
1967A-8765-138	S84DC-66-140 CM38
1967A-8765-152	S84DC-66-156 CM38
1967A-8765-162	S84DC-66-161 CM38
1967A-8765-170	S84DC-66-170 CM38
1967A-8765-187	S84DC-66-188 CM38
20028-96-198	SD96CC-3-199
20032-916-198	SD96CC-3-199
20043-63-120	SD63DB-14-120
20059-84-178	SD84CC-20-178
20089-42-112	SD42CC-19-111
20099-64-132	SD64CC-7-132
20099-64-152	SD64CC-7-152
20124-63-120	SD63DB-14-120
20134-62-114	SD62CB-12-114
20155-64-134	SD64CC-7-132
20158-64-118	SD64CC-7-118
20170-85-378	SD85CC-19-378
20184-63-120	SD63DB-14-120
20223-64-132	SD64CC-7-132
20223-64-152	SD64CC-7-152
20234-63-118	SD63CB-23-118
20235-52-111	SD52CC-24-111
20237-62-114	SD62CB-12-114
20254-916-480	SD96MC-5-480
20258-915-160	SD95CC-3-160
20283-74-164	20283-74-164
20318-63-118	SD63CB-23-118
20348-62-114	SD62CB-12-114
20565-85-378	SD85CC-19-378
20577-63-167	SD63CB-26-167
20580-63-132	SD63CB-26-132.75
20601-63-120	SD63DB-14-120
20641-63-120	SD63DB-14-120
20683-63-118	SD63CB-23-118
207374-62-114	SD62CB-12-114
20738-63-118	SD63CB-23-118
30000-83-132	S83DC-56-134
30000-83-138	S83DC-56-139
30000-83-160	S84DC-66-170
30000-84-140	S84DC-66-140
30000-84-148	S84DC-66-148
30000-84-156	S84DC-66-156
30000-84-164	S84DC-66-161
30000-84-168	S84DC-66-161
30000-84-170	S84DC-66-170
30000-84-175	S84DC-66-170
30000-84-180	S84DC-66-180
30000-84-188	S84DC-66-188
30000-84-190	S84DC-66-188
30000-85-160	S85DC-66-160
30000-85-165	S85DC-66-160
30000-85-170	S85DC-66-170
30000-85-190	S85DC-66-190
30000-85-195	S85DC-66-190
30000-85-200	S85DC-66-197
30000-85-220	S85DC-66-220
30001-85-225	S85DC-66-220
30001-85-235	S85DC-66-235
30001-85-250	S85DC-66-250
30001-85-260	S85DC-66-265
30001-85-265	S85DC-66-265
30001-85-270	S85DC-66-265
30004-824-150	S84DC-66-148 CM2
30004-825-190	S85DC-66-190
30004-825-220	S85DC-66-220
30009-84-148	S84DC-66-148 CM21
30009-84-160	S84DC-66-156 CM21
30009-84-164	S84DC-66-161 CM21
30009-84-180	S84DC-66-180 CM21
30009-84-182	S84DC-66-180 CM21
30009-85-195	S85DC-66-190 CM21
30009-85-220	S85DC-66-220 CM21
30011-84-188	S84DC-66-188 CM9
30016-73-120	S73DC-66-120 CM4
30016-73-130	S73DC-66-129 CM4
30016-73-132	S73DC-66-129 CM4

**Hyco**

30016-73-140	S73DC-66-140 CM4
30016-73-141	S73DC-66-140 CM4
30016-73-150	S73DC-66-150 CM4
30016-73-151	S73DC-66-150 CM4
30016-74-120	S74DC-74-120 CM4
30016-74-135	S74DC-74-135 CM4
30016-74-136	S74DC-74-135 CM4
30016-74-140	S74DC-74-140 CM4
30016-74-156	S74DC-74-156 CM4
30016-74-164	S74DC-74-161 CM4
30016-74-166	S74DC-74-161 CM4
30016-74-168	S74DC-74-161 CM4
30016-74-175	S84DC-66-170
30016-74-176	S84DC-66-170
30016-74-180	S74DC-74-180
30017-63-108	S63DC-101-107 CM16
30017-63-120	S63DC-101-120 CM16
30017-63-129	S63DC-96-130 CM16
30018-74-118	S74DC-74-120
30018-74-138	S74DC-74-140
30020-84-224T	S85MC-48-235
30020-85-190T	S85MC-48-200
30020-85-200T	S85MC-48-200
30020-85-204T	S85MC-48-200
30020-85-220T	S85MC-48-220
30020-85-225T	S85MC-48-220
30020-85-235T	S85MC-48-235
30021-63-104	S63DC-101-104 CM36
30021-63-108	S63DC-101-107 CM36
30021-63-120	S63DC-101-120 CM36
30021-63-126	S63DC-97-123 CM36
30021-63-132	S63DC-96-130 CM36
30021-63-138	S63DC-101-140 CM36
30021-63-135	S63DC-101-77 CM36
30021-63-84	S63DC-101-86 CM36
30021-63-98	S63DC-101-92 CM36
30022-825-235	S85DC-66-235
30022-825-242	S85DC-66-250
30022-825-250	S85DC-66-250
30022-825-255	S85DC-66-250
30022-825-265	S85DC-66-265
30023-85-170	S85DC-66-170
30025-935-190	S95DC-52-190 CM42
30025-935-220	S95DC-52-220 CM42
30025-935-235	S95DC-52-235 CM42
30025-935-240	S95DC-52-235 CM42
30025-935-250	S95DC-52-250 CM42
30025-935-255	S95DC-52-250 CM42
30025-935-265	S95DC-52-265 CM42
30025-935-270	S95DC-52-265 CM42
30029-825-270	S85DC-66-265 CM2
30034-85-220	S85DC-66-220 CM11
30038-915-220	S95DC-52-220 CM4
30038-915-235	S95DC-52-235 CM4
30038-915-250	S95DC-52-250 CM4
30038-915-265	S95DC-52-265 CM4
30041-84-156	S84DC-66-156
30041-84-190	S84DC-66-188
30042-85-235	S85DC-66-235
30042-85-250	S85DC-66-250
30043-85-200	S85DC-66-197 CM46
30043-85-205	S85DC-66-197 CM46
30043-85-220	S85DC-66-220 CM46
30044-85-235	S85DC-66-235 CM46
30044-85-250	S85DC-66-250 CM46
30044-85-260	S85DC-66-265 CM46
30048-73-120	S73DC-66-120 CM38
30048-74-135	S74DC-77-135
30048-74-140	S74DC-74-140 CM38
30048-74-164	S74DC-74-161 CM38
30049-42-82T	S42MB-3-90
30049-42-83T	S42MB-3-90
30049-42-86T	S42MB-3-90
30049-42-90T	S42MB-3-90
30050-63-108T	S63MB-11-108
30050-63-120T	S63MB-9-120
30050-63-140T	S63MB-8-140
30050-64-140T	S64MB-4-140

**Hyco**

30051-85-190	S85DC-66-190 CM53
30051-85-215	S85DC-66-220 CM65
30057-53-72	S53DC-66-72
30057-53-78	S53DC-66-72
30057-53-84	S53DC-66-84
30057-53-90	S53DC-66-84
30058-74-154T	S74MB-3-154
30058-74-172T	S74MB-3-172
30060-85-235T	S85MC-48-235
30060-85-250T	S85MC-48-250
30060-85-265T	S85MC-48-265
30060-85-280	S85MC-48-280
30061-63-98	S63DC-101-104 CM36
30062-85-190T	S85MC-48-200 CM53
30062-85-200T	S85MC-48-200 CM53
30062-85-220T	S85MC-48-220 CM53
30063-85-170H	S85DC-66-170
30063-85-190H	S85DC-66-190
30064-73-120H	S73DC-66-120 CM4
30064-74-140H	S74DC-74-140 CM4
30064-74-156H	S74DC-74-156 CM4
30064-75-170H	S85DC-66-170
30065-63-108H	S63DC-101-107 CM36
30065-63-120H	S63DC-101-120 CM36
30066-64-140H	S74DC-74-140 CM4
30070-63-104	S63DC-101-104 CM43
30070-63-105	S63DC-101-107 CM43
30070-63-108	S63DC-101-107 CM43
30070-63-120	S63DC-101-120 CM45
30070-63-84	S63DC-101-86 CM43
30071-73-126	S73DC-66-124 CM9
30071-74-148	S74DC-74-140 CM9
30072-53-120T	S53MB-3-120
30097-63-105	S63DC-101-107
30097-63-108	S63DC-101-107
30097-63-111	S63DC-97-111
30097-63-120	S63DC-101-120
30097-63-132	S63DC-96-130
30097-63-156	S63DC-101-150
30097-63-81	S63DC-101-86
30097-63-93	S63DC-101-86
30097-64-156	S64DC-14-156
30122-84-164	S84DC-66-161 CM38
30122-84-188	S84DC-66-188 CM38
30125-935-265	S95DC-52-265
30125-935-270	S95DC-52-265 CM42
30125-935-280	S95DC-52-280
30125-935-285	S95DC-52-280
30125-935-300	S95DC-52-300
30129-63-108T	S63MB-11-108
30129-63-140T	S63MB-8-140
30129-63-144T	S63MB-8-140
30129-63-150T	S63MB-8-150
30129-64-140T	S64MB-4-140
30146-63-129	S63DC-96-130
30164-825-250	S85DC-66-250 CM46
30178-825-260	S85DC-66-265 CM49
30181-53-104	S53DC-65-104
30181-53-120	S53DC-65-120
30195-73-108	S73DC-66-110
30195-73-110	S73DC-66-110
30195-73-120	S73DC-66-120
30195-73-123	S73DC-66-120
30195-73-126	S73DC-66-124
30195-73-130	S73DC-66-129
30195-73-140	S73DC-66-140
30195-73-150	S73DC-66-150
30195-74-120	S74DC-74-120
30195-74-136	S74DC-74-135
30195-74-140	S74DC-74-140
30195-74-156	S74DC-74-156
30195-74-161	S74DC-74-161
30195-74-167	S74DC-74-161
30205-74-156	S74DC-74-156 CM4
30208-85-235	S85DC-66-235
30208-85-250	S85DC-66-250
30208-85-265	S85DC-66-265
30231-53-104	S53DC-65-104

**Crossover and Application Data is for Reference Purpose Only. No Other Conditions are Expressed or Implied.**

**Note: It is the Users Responsibility to Verify if the Replacement Cylinder is Interchangeable.**

**Note: In some applications, modifications may be required for proper cylinder installation.**

**Hycos**

30231-53-108	S53DC-65-107
30231-53-123	S53DC-65-120
30238-63-138	S63DC-102-138
30238-63-162	S63DC-102-162
30251-63-120	S63DC-102-120
30251-63-126	S63DC-102-126
30251-63-138	S63DC-102-138
30251-63-162	S63DC-102-162
30252-53-105	S53DC-68-105
30252-53-120	S53DC-68-120
30252-53-123	S53DC-68-123
30252-53-126	S53DC-68-123
30252-53-135	S53DC-65-130 CM2
30252-53-81	S53DC-66-84
30252-53-87	S53DC-66-84
30252-53-99	S53DC-68-99
30278-915-190	S95DC-52-190 CM42
30278-915-220	S95DC-52-220 CM42
30278-915-235	S95DC-52-235 CM42
30278-915-250	S95DC-52-250 CM42
30278-915-265	S95DC-52-265 CM42
30279-53-72	S53DC-66-72
30279-53-84	S53DC-66-84
30279-53-90	S53DC-66-84
30305-84-137	S84DC-66-140
30305-84-156	S84DC-66-156
30305-84-160	S84DC-66-156
30305-85-160	S85DC-66-160
30305-85-190	S85DC-66-190
30305-85-220	S85DC-66-220
30320-915-280	S95DC-52-280
30320-915-300	S95DC-52-300
30324-85-285	S85DC-66-285
30337-85-190T	S85MC-48-200
30337-85-200T	S85MC-48-200
30337-85-204T	S85MC-48-200
30337-85-220T	S85MC-48-220
30337-85-225T	S85MC-48-220
30337-85-235T	S85MC-48-235
30338-915-190	S95DC-52-190
30338-915-220	S95DC-52-220
30338-915-235	S95DC-52-235
30338-915-250	S95DC-52-250
30338-915-265	S95DC-52-265 CM4
30346-915-190	S95DC-52-190
30346-915-220	S95DC-52-220
30346-915-235	S95DC-52-235
30346-915-250	S95DC-52-250
30346-915-265	S95DC-52-265
30347-63-104	S63DC-101-104
30347-63-108	S63DC-101-107
30347-63-111	S63DC-97-111
30347-63-120	S63DC-101-120
30347-63-126	S63DC-101-126
30347-63-129	S63DC-96-130
30347-63-130	S63DC-96-130
30347-63-132	S63DC-96-130
30347-63-136	S63DC-96-130
30347-63-138	S63DC-101-140
30347-63-140	S63DC-101-140
30347-63-77	S63DC-101-77
30347-63-84	S63DC-101-86
30347-63-90	S63DC-101-86
30347-63-96	S63DC-101-92
30347-64-156	S64DC-14-156
30357-63-75	S63DC-101-77 CM36
30369-823-213	S85DC-66-235 CM2
30384-53-135	S53DC-65-130 CM2
30387-74-135	S74DC-74-135
30387-74-140	S74DC-74-140
30426-73-120	S73DC-66-120
30426-73-140	S73DC-66-140
30426-73-150	S73DC-66-150
30426-74-120	S74DC-74-120
30426-74-136	S74DC-74-135
30426-74-156	S74DC-74-156
30426-74-161	S74DC-74-161
30433-85-285	S85DC-66-285

**Hycos**

30434-915-285	S95DC-52-280
30441-916-285	S96DC-2-285
30449-63-105	S63DC-101-107
30449-63-123	S63DC-97-123
30470-64-132	S64DB-12-135
30470-64-135	S64DB-12-135
30493-73-125.25	S73DC-60-125
30494-73-14212	S73DC-60-142
30495-63-09169	S63DC-60-92
30496-53-89	S53MB-5-90
30498-53-81	S53DC-60-81
30499-63-10763	S63DC-60-106
30500-63-126	S63DC-60-125
30504-74-164	S74DC-60-165.75
30505-63-79.63	S63DC-60-79.12
30506-84-162	S84DC-66-161
30521-74-136	S74DC-77-135 CM8
30534-73-120	S73DC-66-120
30534-74-135	S74DC-74-135
30534-74-156	S74DC-74-156
30537-73-142	S73DC-60-142
30541-815-265	S85DC-66-265
30541-85-235	S85DC-66-235
30541-85-240	S85DC-66-235
30541-85-265	S85DC-66-265
30543-63-92	S63DC-60-92
30564-42-67.5	S52DB-9-67.50
30584-63-78	S63DC-101-77 CM71
30592-84-168	S84DC-66-161
30595-74-154	S74MB-3-154
30595-74-172	S74MB-3-172
30602-85-186	S85DC-66-190
30602-85-216	S85DC-66-220
30603-825-186	S85DC-66-190
30603-825-216	S85DC-66-220
30614-73-12525	S73DC-60-125
30616-73-142	S73DC-60-142
30620-63-126	S63DC-60-125
30621-84-162	S84DC-66-161
30779-64-157	S64DC-15-157
40026-85-220	SD85MC-16-220
40041-85-220	SD85MC-16-220
40133-42-55	S52CC-41-54.62
4436-LM	D35LD-7-16
50044-64-145	SD64DC-5-145
50044-64-146	SD64DC-5-145
50138-53-182	SD53CC-51-182
60025-935-220	S95DC-52-220 CM42
60251-63-120	S63DC-102-120
60251-63-126	S63DC-102-126
60251-63-138	S63DC-102-138
60251-63-162	S63DC-102-162
60803-53-156	SD53CC-36-155
6260-BA	D60DC-5-34
6262-BA	D50CB-8-27
6390-BA	D60DC-12-42.62
6402	D50CB-8-27
6403	D60DC-5-34
70000-814-132	S84DC-66-140
70000-814-140	S84DC-66-140
70000-814-147	S84DC-66-148
70000-814-155	S84DC-66-156
70000-814-170	S84DC-66-170
70000-814-172	S84DC-66-180
70000-814-191	S84DC-66-188
70000-815-160	S85DC-66-160
70000-815-170	S85DC-66-170
70000-815-180	S85DC-66-190
70000-815-191	S85DC-66-197
70000-815-210	S85DC-66-220
70000-815-235	S85DC-66-235
70000-815-250	S85DC-66-250
70000-815-265	S85DC-66-265
70001-815-235	S85DC-66-235
70001-815-265	S85DC-66-265
70009-814-173.50	S84DC-66-180 CM21
70016-73-120	S73DC-66-120 CM4
70016-73-130	S73DC-66-129 CM4

**Hycos**

70016-73-140	S73DC-66-140 CM4
70016-74-120	S74DC-74-120 CM4
70016-74-135	S74DC-74-135 CM4
70016-74-140	S74DC-74-140 CM4
70016-74-156	S74DC-74-156 CM4
70016-74-167	S74DC-74-161 CM4
70016-74-180	S74DC-74-180
70018-74-118	S74DC-74-120
70018-74-138	S74DC-74-140
70020-815-190T	S85MC-48-200
70020-815-210T	S85MC-48-220
70021-63-108	S63DC-101-107 CM36
70021-63-120	S63DC-101-120 CM36
70021-63-132	S63DC-96-130 CM36
70021-63-75	S63DC-101-77 CM36
70021-63-84	S63DC-101-86 CM36
70022-814-172	S84DC-66-180
70022-815-210	S85DC-66-220 CM2
70022-815-235	S85DC-66-235 CM2
70022-815-250	S85DC-66-250 CM2
70022-815-265	S85DC-66-265 CM2
70023-815-170	S85DC-66-170
70025-935-200	S95DC-52-190 CM42
70025-935-220	S95DC-52-220 CM42
70025-935-235	S95DC-52-235 CM42
70025-935-250	S95DC-52-250 CM42
70025-935-265	S95DC-52-265 CM42
70025-935-320	S95DC-52-320 CM42
70029-815-270	S85DC-66-265 CM2
70048-74-135	S74DC-77-135
70049-42-82T	S42MB-3-90
70049-42-90T	S42MB-3-90
70050-63-108T	S63MB-11-108
70050-63-111T	S63MB-11-108
70050-63-120T	S63MB-9-120
70050-63-140T	S63MB-8-140
70050-63-150T	S63MB-8-150
70050-63-160T	S63MB-8-160
70050-63-98T	S63MB-11-108
70050-64-140T	S64MB-4-140
70057-53-72	S53DC-66-72
70057-53-84	S53DC-66-84
70057-53-90	S53DC-66-84
70058-74-154T	S74MB-3-154
70058-74-172T	S74MB-3-172
70060-815-220T	S85MC-48-220
70060-815-235T	S85MC-48-235
70060-815-250T	S85MC-48-250
70060-815-265T	S85MC-48-265
70060-815-280T	S85MC-48-280
70060-815-285T	S85MC-48-280
70061-63-98	S63DC-101-104 CM36
70064-74-140H	S74DC-74-140 CM4
70064-74-156H	S74DC-74-156 CM4
70072-53-120T	S53MB-3-120
70125-935-250	S95DC-52-250
70125-935-265	S95DC-52-265
70125-935-280	S95DC-52-280 CM4
70129-63-108T	S63MB-11-108
70129-63-150T	S63MB-8-150
70175-73-129H	S73DC-66-129 CM4
70195-73-108	S73DC-66-110
70195-73-110	S73DC-66-110
70195-73-120	S73DC-66-120
70195-73-124	S73DC-66-124
70195-73-130	S73DC-66-129
70195-73-140	S73DC-66-140
70195-74-135	S74DC-74-135
70195-74-140	S74DC-74-140
70195-74-156	S74DC-74-156
70195-74-161	S74DC-74-161
70195-74-167	S74DC-74-167
70195-74-180	S74DC-74-180
70251-63-120	S63DC-102-120
70251-63-126	S63DC-102-126
70251-63-138	S63DC-102-138
70251-63-162	S63DC-102-162
70252-53-105	S53DC-68-105

**Crossover and Application Data is for Reference Purpose Only. No Other Conditions are Expressed or Implied.**

**Note: It is the Users Responsibility to Verify if the Replacement Cylinder is Interchangeable.**

**Note: In some applications, modifications may be required for proper cylinder installation.**

<b>Hyco</b>	
70252-53-120	S53DC-68-120
70252-53-123	S53DC-68-123
70252-53-126	S53DC-68-123
70252-53-99	S53DC-68-99
70320-915-300	S95DC-52-300
70320-935-220	S95DC-52-220
70320-935-280	S95DC-52-280
70337-815-200T	S85MC-48-200
70337-815-220T	S85MC-48-220
70338-935-220	S95DC-52-220
70338-935-235	S95DC-52-235
70338-935-250	S95DC-52-250 CM4
70346-935-220	S95DC-52-220
70346-935-235	S95DC-52-235
70346-935-250	S95DC-52-250
70346-935-265	S95DC-52-265
70347-63-104	S63DC-101-104
70347-63-108	S63DC-101-107
70347-63-111	S63DC-97-111
70347-63-120	S63DC-101-120
70347-63-123	S63DC-97-123
70347-63-126	S63DC-101-126
70347-63-130	S63DC-96-130
70347-63-132	S63DC-96-130
70347-63-140	S63DC-101-140
70347-63-77	S63DC-101-77
70347-63-84	S63DC-101-86
70347-63-88	S63DC-101-86
70347-63-96	S63DC-101-92
70347-64-156	S64DC-14-156
70387-74-135	S74DC-74-135
70387-74-140	S74DC-74-140
70387-74-156	S74DC-74-156
70426-73-150	S73DC-66-150
70433-815-285	S85DC-66-285
70434-935-285	S95DC-52-280
70449-63-123	S63DC-97-123
70470-64-132	S64DB-12-135
70470-64-135	S64DB-12-135
70470-64-156	S64DB-12-156
70493-73-124.25	S73DC-60-125
70494-73-14212	S73DC-60-142
70495-73-125	S73DC-60-125
70498-53-81	S53DC-60-81
70500-63-107	S63DC-60-106
70504-74-162	S74DC-60-165.75
70521-74-136	S74DC-77-135 CM8
70534-74-156	S74DC-74-156
70541-815-210	S85DC-66-220
70541-815-240	S85DC-66-235
70541-815-265	S85DC-66-265
70564-42-67.5	S52DB-9-67.50
70595-74-154T	S74MB-3-154
70595-74-172T	S74MB-3-172
70603-815-180	S85DC-66-190 CM2
70603-815-210	S85DC-66-220 CM2
70611-63-120	S63DC-102-120
70611-63-126	S63DC-102-126
70611-63-138	S63DC-102-138
70611-63-162	S63DC-102-162
70614-73-119	S73DC-66-120 CM38
70616-73-136	S73DC-60-142
70620-63-126	S63DC-60-125
70679-53-123	S53DC-68-123
70802-815-180	S85DC-66-190
70803-815-200T	S85MC-48-200
70803-815-220T	S85MC-48-220
70803-815-240T	S85MC-48-235
70805-64-156	S64DB-12-156
70807-63-120	S63DC-102-120
70809-815-235T	S85MC-48-235
70809-815-250T	S85MC-48-250
70817-73-114	S73DC-66-120
70821-63-91.88	S63DC-101-92
70828-53-123	S53DC-65-126
70832-63-80	S63DC-101-77 CM11
70848-53-84	S53DC-66-84
70850-53-107	S53DC-65-107

<b>Hyco</b>	
70850-53-126	S53DC-65-126
70852-63-140	S63DC-101-140
70853-64-140T	S64MB-4-140
70854-64-156	S64DB-12-156
70876-73-146.50	S73DC-66-150
70897-74-140	S74DC-74-140 CM4
7200-LM	D35LD-7-16
8159-BA	D40CD-13-37
8174-BA	D30CC-27-27.50
8201-BA	D40CC-27-19
8208-BA	D30CC-13-21.62
8218-BA	D30CA-2-3.62
8221-BA	D30CC-18-8.00
8224-BA	D17AE-2-71.88
8241-BA	D30CC-18-8.00
8259-BA	D50CC-25-43
8260-BA	D17AE-2-71.88
8261-BA	D30CE-11-18.50
8262-BA	D30CC-18-8.00
8263-BA	D30CC-19-16.00
8533-BA	D40DB-7-28.5
8540-BA	D40CB-10-42
8555-BA	D30LD-8-33.38
8560-BA	D45CD-5-49.12
8565-BA	D40CB-10-42
8575-BA	D40DB-7-28.5
8576-BA	D60DC-12-42.62
8596-BA	D60DC-12-42.62
8597-BA	D40DB-7-28.5
8611-BA	D55CC-12-49.12
8644-BA	D45CD-5-49.12
8671-BA	D40DB-7-28.5
8672-BA	D60DC-12-42.62
9021-BA	D30CC-20-8.00
9066A-825-7654-220	S85DC-66-220 CM46
9066A-825-7654-250	S85DC-66-250 CM46
9066A-87654-202	S85DC-66-197 CM46
9066A-87654-220	S85DC-66-220 CM46
9066A-87654-235	S85DC-66-235 CM46
9066A-87654-250	S85DC-66-250 CM46
9185-6543-140	S64MB-4-140
9185-BA	D50CC-25-43
9189-BA	D17AE-2-71.88
9313-987654-198	SD96CC-3-199
9329-987654-199	SD96CC-3-199
9358-65-114	SD62CB-12-114
9406-8765-178	SD84CC-20-178
9467-654-120	SD63DB-14-120
9530-6543-132	SD64CC-7-132
9530-6543-152	SD64CC-7-152
C6700	D60DB-23-72
RCA-55024-06300	D55CC-6-63

<b>Hyco / Lessard</b>	
024-0600-1	D60DB-23-72
028-0500-0	D70LN-5-80
098-2010-0	S84DC-66-148
098-2011-0	S84DC-66-180
098-2012-0	S84DC-66-148
098-2013-0	S84DC-66-180
098-3012-0	S85DC-66-190
098-3013-0	S85DC-66-220
098-3014-0	S85DC-66-235
098-3015-0	S85DC-66-250
098-3016-0	S85DC-66-265
098-3028-0	S85DC-66-190
098-3029-0	S85DC-66-220
098-3030-0	S85DC-66-235
098-3031-0	S85DC-66-250
098-3032-0	S85DC-66-265
099-3004-1	S95DC-52-320 CM42
099-3009-0	S95DC-52-250 CM42
099-3010-0	S95DC-52-190 CM42
099-3011-0	S95DC-52-235 CM42
099-3012-0	S95DC-52-265 CM42
099-3024-0	S95DC-52-190 CM42
099-3025-0	S95DC-52-235 CM42
099-3026-0	S95DC-52-250 CM42

<b>Hyco / Lessard</b>	
099-3027-0	S95DC-52-265 CM42
099-3030-0	S95DC-52-320 CM42
193-A	S95DC-52-265 CM42
194-A	S95DC-52-235 CM42
195-A	S95DC-52-190 CM42
196-A	S95DC-52-250 CM42
500-A	S85DC-66-190
500-B	S85DC-66-190
501-A	S85DC-66-220
501-B	S85DC-66-220
502-A	S85DC-66-235
502-B	S85DC-66-235
503-A	S85DC-66-250
503-B	S85DC-66-250
504-A	S85DC-66-265
504-B	S85DC-66-265
519-A	S84DC-66-148
519-B	S84DC-66-148
519-H	S84DC-66-148
520-A	S84DC-66-180
520-B	S84DC-66-180
520-H	S84DC-66-180
DA16837-5-3-CB76 1/2	SD53CD-3-168
SA120-5-3-TB-53.75-14.37	S53MB-3-120
SA1485-8-12-4-BC-54	S84DC-66-148
SA148-5-8-4-BC-54	S84DC-66-148
SA149-8-4-BC-54	S84DC-66-148
SA172.5-8-12-4-BC-60	S84DC-66-180
SA172.5-8-4-BC-60	S84DC-66-180
SA173-8-4-BC-60	S84DC-66-180
SA186-8-5-BC-54	S85DC-66-190
SA190-8-5-BC-54	S85DC-66-190
SA196-912-5-BC-58	S95DC-52-190 CM42
SA216-8-5-BC-60	S85DC-66-220
SA220-8-5-BC-60	S85DC-66-220
SA235-8-5-BC-65	S85DC-66-235
SA235-912-5-BC-66	S95DC-52-235 CM42
SA250-8-5-BC-68	S85DC-66-250
SA250-912-5-BC-69	S95DC-52-250 CM42
SA265-8-5-BC-71	S85DC-66-265
SA265-912-5-BC-72	S95DC-52-265 CM42
SA320-912-5-BC-83	S95DC-52-320 CM42

<b>Hyva</b>	
71564118	S63DC-101-107
71564138	S63DC-101-120
71564188	S63DC-101-140
71564238	S64DC-14-156
71565178	S74DC-74-135
71565208	S74DC-74-140
71565238	S74DC-74-156
71565268	S74DC-74-167
71565298	S74DC-74-180
71566238	S84DC-66-156
71566268	S84DC-66-170
71566298	S84DC-66-180
71567418	S85DC-66-197
71567458	S85DC-66-220
71567498	S85DC-66-235
71567538	S85DC-66-235
71567558	S85DC-66-250
71567588	S85DC-66-265
71568458	S95DC-52-220
71568498	S95DC-52-235
71568538	S95DC-52-250
71568558	S95DC-52-265
71568728	S95DC-52-320
FEE12930275231AK1304	S63DC-101-107
FEE129-3-02980	S63DC-101-120
FEE129302980231AK1379	S63DC-101-120
FEE129303460231AK1339	S63DC-101-140
FEE129-3-2980	S63DC-101-120
FEE129-3-3460	S63DC-101-140
FEE129-4-3980	S64DC-14-156
FEE149-4-3380	S74DC-74-135
FEE149-4-3680	S74DC-74-140
FEE149-4-3980	S74DC-74-156
FEE149-4-4280	S74DC-74-167

**Crossover and Application Data is for Reference Purpose Only. No Other Conditions are Expressed or Implied.**

**Note: It is the Users Responsibility to Verify if the Replacement Cylinder is Interchangeable.**

**Note: In some applications, modifications may be required for proper cylinder installation.**



**Hyva**

FEE149-4-4620	S74DC-74-180
FEE169-4-3980	S84DC-66-156
FEE169-4-4280	S84DC-66-170
FEE169-4-4680	S84DC-66-180
FEE191-5-5355	S85DC-66-197
FEE191-5-5780	S85DC-66-220
FEE191-5-6180	S85DC-66-235
FEE191-5-6480	S85DC-66-235
FEE191-5-6830	S85DC-66-250
FEE191-5-7130	S85DC-66-265
FEE214-5-5780	S95DC-52-220
FEE214-5-6180	S95DC-52-235
FEE214-5-6480	S95DC-52-250
FEE214-5-6830	S95DC-52-265
FEE214-5-8130	S95DC-52-320
FEE6-3-108	S63DC-101-107
FEE6-3-117	S63DC-101-120
FEE6-3-136	S63DC-101-140
FEE8-5-235	S85DC-66-235
FEF6-4-157	S64DC-14-156
FEF7-4-133	S74DC-74-135
FEF7-4-145	S74DC-74-140
FEF7-4-157	S74DC-74-156
FEF7-4-169	S74DC-74-167
FEF7-4-182	S74DC-74-180
FEF8-4-157	S84DC-66-156
FEF8-4-169	S84DC-66-170
FEF8-4-182	S84DC-66-180
FEF8-5-211	S85DC-66-197
FEF8-5-228	S85DC-66-220
FEF8-5-243	S85DC-66-235
FEF8-5-255	S85DC-66-235
FEF8-5-269	S85DC-66-250
FEF8-5-281	S85DC-66-265
FEF9-5-228	S95DC-52-220
FEF9-5-243	S95DC-52-235
FEF9-5-255	S95DC-52-250
FEF9-5-269	S95DC-52-265
FEF9-5-320	S95DC-52-320

**J Craft**

001679	S63DC-97-123
001682	S63DC-97-111
001683	S73DC-66-129
001684	S74DC-74-156
001685	S85DC-66-190

**Johnson**

D3-38	S63DC-101-77 CM26
D3-48	S63DC-101-107 CM26
D3-50	S63DC-97-111 CM26
D3-52	S63DC-101-120 CM26
D3-55	S63DC-97-123 CM26
D3-60	S63DC-101-140 CM26
D3-63	S63DC-101-150 CM26
E4-45	S74DC-74-120 CM23
E4-48	S74DC-74-135 CM23
F3-58	S84DC-66-140 CM66
F3-60	S83DC-56-139 CM66
F3-67	S84DC-66-170 CM66
F4-51	S84DC-66-148 CM22
F4-55	S84DC-66-161 CM22
F4-57	S84DC-66-170 CM22
F4-62	S84DC-66-188 CM22
F5-55	S85DC-66-197 CM1
F5-59	S85DC-66-220 CM1
FMD3-38	S63DC-101-77 CM26
FMD3-48	S63DC-101-107 CM26
FMD3-50	S63DC-97-111 CM26
FMD3-52	S63DC-101-120 CM26
FMD3-55	S63DC-97-123 CM26
FMD3-60	S63DC-101-140 CM26
FMD3-63	S63DC-101-150 CM26
FME4-45	S74DC-74-120 CM23
FME4-48	S74DC-74-135 CM23
FMF3-58	S84DC-66-140 CM66
FMF3-60	S83DC-56-139 CM66
FMF3-67	S84DC-66-170 CM66

**Johnson**

FMF4-51	S84DC-66-148 CM22
FMF4-55	S84DC-66-161 CM22
FMF4-57	S84DC-66-170 CM22
FMF4-62	S84DC-66-188 CM22
FMF5-55	S85DC-66-197 CM1
FMF5-59	S85DC-66-220 CM1
FMG5-55	S95DC-52-190 CM22
FMG5-57	S95DC-52-190 CM22
FMG5-60	S95DC-52-220 CM22
FMG5-62	S95DC-52-220 CM22
FMG5-65	S95DC-52-235 CM22
FMG5-67	S95DC-52-250 CM22
FMG5-69	S95DC-52-250 CM22
FMG5-72	S95DC-52-265 CM22
G5-55	S95DC-52-190 CM22
G5-57	S95DC-52-190 CM22
G5-60	S95DC-52-220 CM22
G5-62	S95DC-52-220 CM22
G5-65	S95DC-52-235 CM22
G5-67	S95DC-52-250 CM22
G5-69	S95DC-52-250 CM22
G5-72	S95DC-52-265 CM22

**Kalyn / Siebert**

2533038	S85DC-66-197
2533039	S85DC-66-220
2533040	S85DC-66-235
2533047	S95DC-52-280
2533067	S85DC-66-285

**Kann Mfg**

1400101	D30CD-13-28
1400106	D65CC-9-66
1400121	D40MD-1-72
1400121ABA	D40MD-1-72
1400128	D30LD-10-36
1400135	D35CC-28-38
1400175	D45DD-8-16.75

**K-Pac / Krause Corp**

21-141	D70LN-5-80
Labrie Equipment	
020-9431-20	D50DC-4-40
HYC00510	D50DC-4-40
HYC01550	D32CC-12-15.50
HYC01550	D32CC-12-15.50

**Leach**

200869	SD75OO-1-100
201500	SD86OO-1-146
20278	SD75OO-1-100
209787	SD63CC-5-145
2R1006A	D60BC-5-30.31 536
2R1008R	D60BC-5-30.31 495
300679	D60BC-5-30.31 495
300900	D60BC-5-30.31 495
300990	D60BC-5-30.31 495
302525	SD63CC-23-167
303407	SD63CC-23-167
303904	D60BC-5-30.31 495
304000	SD63CC-23-167
304168	D60BC-5-30.31
304805	D60BC-5-30.31 536
305688	SD63CC-23-167
305827	D60BC-5-30.31 495
305972	D60CF-3-32.38
306562	D60BC-5-30.31 495
307081	D60BC-5-30.31
307082	D60BC-6-27.81
32046	D60BC-5-30.31 495
400383	D60CF-3-32.38
400753	S41LC-1-39.38
401056	S41LC-1-39.38
402160	S41LC-1-39.38
402324	S41LC-1-39.38
405089	S41LC-1-39.38
405114	S41LC-1-39.38
406368	D60CF-3-32.38

**Leach**

406369	S41LC-1-39.38
406399	S41LC-1-39.38
406639	S41LC-1-39.38
41354	D60CF-3-32.38
41357	D60CF-3-32.38
601429	S41LC-1-39.38
620509	D60BC-6-27.81
620568	D60BC-5-30.31
700081	D60BC-5-30.31 528
700289	D60BC-6-27.81 528
704045	704045
717488	D60BC-5-30.31 528
718876	SD64DC-5-145
PO1166	D60CF-3-32.38
PO265	S41LC-1-39.38

**Lodal**

9930251	SD52CC-24-111
9930254	SD42CC-19-111
9930258	SD95CC-3-160
9930272	SD42CC-19-111
9930303	SD42CC-19-111
9930341	SD53CC-36-155
9930361	SD53CC-36-155

**Lufkin**

ULD-35	S85DC-66-235
13789850 (3789850)	S85DC-66-265

**Mabar**

T63108	S63DC-101-107
T63120	S63DC-101-120
T63126	S63DC-97-123
T74135	S74DC-74-135
T74140	S74DC-74-140
T74156	S74DC-74-156

**Mailhot**

5000011	S85DC-66-190
5000012	S85DC-66-220
5000026	S85DC-66-250
5000058	S95DC-52-250
5000060	S95DC-52-265
5000085	S85DC-66-235
5000134	S95DC-52-235
9000012	S85DC-66-235
9000015	S85DC-66-220
9000016	S95DC-52-265
9000023	S85DC-66-250
9000025	S85DC-66-190
9000029	S95DC-52-250
9000030	S85DC-66-197
9000031	S84DC-66-188
9000034	S74DC-74-135
9000035	S73DC-66-110
9000036	S63DC-97-123
9000037	S63DC-97-111
9000038	S64DC-14-156
9000079	S95DC-52-235
C102-6-3	S63DC-101-104
C111-6-3	S63DC-97-111
C111-7-3	S73DC-66-110
C120-6-3	S63DC-101-120
C123-6-3	S63DC-97-123
C135-7-4	S74DC-74-135
C148-8.125-4	S84DC-66-148
C156-6-4	S64DC-14-156
C156-6-4A	S64DC-14-156
C156-6-4B	S64DC-14-156
C160-7-4	S74DC-74-156
C160-8.125-4	S84DC-66-156
C162-7-4	S74DC-74-161
C167-7-4	S74DC-74-161
C183-8.125-4	S84DC-66-180
C183-8-4	S84DC-66-188
C190-8.125-5	S85DC-66-190
C190-8-5	S85DC-66-190
C190-9.375-5	S95DC-52-190

**Crossover and Application Data is for Reference Purpose Only. No Other Conditions are Expressed or Implied.**

**Note: It is the Users Responsibility to Verify if the Replacement Cylinder is Interchangeable.**

**Note: In some applications, modifications may be required for proper cylinder installation.**

**Mailhot**

C200-8-5.....	S85DC-66-197
C220-8.125-5.....	S85DC-66-220
C220-8-5.....	S85DC-66-220
C220-9.375-5.....	S95DC-52-220
C235-8.125-5.....	S85DC-66-235
C235-8-5.....	S85DC-66-235
C235-9.25-5.....	S95DC-52-235
C235-9.375-5.....	S95DC-52-235
C250-8.125-5.....	S85DC-66-250
C250-8-5.....	S85DC-66-250
C250-9.25-5.....	S95DC-52-250
C250-9.375-5.....	S95DC-52-250
C265-8.125-5.....	S85DC-66-265
C265-9.25-5.....	S95DC-52-265
C265-9.375-5.....	S95DC-52-265
C280-9.375-5.....	S95DC-52-280
C300-9.375-5.....	S95DC-52-300
CS132-5.5-3DA.....	SD63CB-26-132.75
CS156.88-5.5-3 DA.....	SD53CD-3-156.88
CS164-5.5-3DA.....	SD63CC-44-164
CS166.25-6.5-3 DA.....	SD63CC-39-167
CS1662.5-6.5-3DA.....	SD63CC-39-167
CS167-6-1/2.3 DA.....	SD63CB-26-167
CS167-6-1/2-3DA.....	SD63CB-27-167
CS181-5.5-3DA.....	SD63CC-44-181
CS197-6.5-3DA.....	SD63CB-26-197
P12040TC5419.....	D40CB-10-42
P12055SS5426.....	D55CC-6-63
PC0601113HG0037.....	S63DC-97-111
PC0601233HG0036.....	S63DC-97-123
PC0601564HG0038.....	S64DC-14-156
PC0701113HG0035.....	S73DC-66-110
PC0701354HG0034.....	S74DC-74-135
PC0701624HG0033.....	S74DC-74-161
PC0701784HG0261.....	S74DC-74-180
PC0801834HG0031.....	S84DC-66-188
PC0801905HG0025.....	S85DC-66-190
PC0802005HG0030.....	S85DC-66-197
PC0802205HG0015.....	S85DC-66-220
PC0802355HG0012.....	S85DC-66-235
PC0802505HG0023.....	S85DC-66-250
PC0802705HG0230.....	S85DC-66-265
PC0922355HG0047.....	S95DC-52-235
PC0922505HG0029.....	S95DC-52-250
PC0922655HG0016.....	S95DC-52-265
PCD0551573BC0629.....	SD53CD-3-156.88
PI2050555455.....	D50CC-24-34.19
PS0601023HG0033.....	C102-6-3
PS0601113HG0045.....	S63DC-97-111
PS0601203HG0052.....	S63DC-101-120
PS0601564HG0041.....	S64DC-14-156
PS0601564HG0043.....	S64DC-14-156
PS0701354HG0012.....	S74DC-74-135
PS0701604HG0044.....	S74DC-74-156
PS0701674HG0081.....	S74DC-74-161
PS0811484HG0009.....	S84DC-66-148
PS0811604HG0010.....	S84DC-66-156
PS0811834HG0011.....	S84DC-66-180
PS0811905HG0001.....	S85DC-66-190
PS0812205HG0003.....	S85DC-66-220
PS0812355HG0004.....	S85DC-66-235
PS0812655HG0006.....	S85DC-66-265
PS0912505HG0005.....	S85DC-66-250
PS0931905HG0020.....	S95DC-52-190
PS0932205HG0008.....	S95DC-52-220
PS0932355HG0022.....	S95DC-52-235
PS0932505HG0023.....	S95DC-52-250
PS093265HG0024.....	S95DC-52-265
PS0932805HG0024.....	S95DC-52-280
PS0933005HG0026.....	S95DC-52-300
PSD0551323HC0326.....	SD63CB-26-132.75
PSD0551573BC0362.....	SD53CD-3-156.88
PSD0551643SS0317.....	SD63CC-44-164
PSD0551683BC0360.....	SD53CD-3-168
PSD0551743BC0365.....	SD53CD-3-156.88
PSD0551813SS0306.....	SD63CC-44-181
PSD0551863BC0361.....	SD53CD-3-185.75
PSD0651663SC0243.....	SD63CC-39-167

**Mailhot**

PSD0651973TC0295.....	SD63CB-26-197
PSD0651673SS0294.....	SD63CB-27-167
PSD0651673TC0293.....	SD63CB-26-167
SM1-22-4.42.....	D40CB-10-42
SM1-22-42.75.....	D50CC-25-43
SM1-22-5-43.25.....	D50CC-25-43
SM2-22-4.5-52.75.....	D45DD-10-52.75
SM6-22.5-345.....	D50CC-24-34.19
SM6-22-3-16.....	D30CC-19-16.00
SM6-22-3-18.5.....	D30CE-11-18.50
SM6-22-3-8.....	D30CC-20-8.00
SM6-22-4.5-41.5.....	D45CC-19-41.50
SM6-22-5-5-63.....	D55CC-6-63

**Marathon**

04-0127.....	D70DD-7-79
04-2000.....	D60DB-23-72
04-2001.....	SD63CB-23-118
04-2003.....	D70LN-5-90

**Marion Farnsworth**

3243C.....	S32DB-3-42.62 CM72
3250-C.....	S32DB-3-50 CM72
4243C.....	S42DB-8-43 CM72
4250C.....	S42DB-8-51 CM72
4260T.....	M42MB-60
4375C.....	S43DB-3-75 CM72
5360C.....	S53DB-13-60
5390C.....	S53DB-18-90
5390T.....	S53MB-5-90
A218630-119.....	S74DC-74-120 CM26
A218630-135.....	S74DC-74-135 CM26
M32DB-43.....	S32DB-3-42.62 CM72
M32DB-50.....	S32DB-3-50 CM72
M32DB-50-OX.....	S32DB-3-50
M42DB-43.....	S42DB-8-43 CM72
M42DB-43-P.....	M42DB-43-P
M42DB-50.....	S42DB-8-51 CM72
M42DB-50S.....	S42DB-8-51
M42MB-60.....	M42MB-60
M42MB-60-S.....	S42MB-5-60
M43DB-75.....	S43DB-3-75 CM72
M43DB-75S.....	S43DB-3-75
M52CB-43-P.....	M52CB-43-P
M53DB-60.....	S53DB-13-60
M53DB-90.....	S53DB-18-90
M53MB-90.....	S53MB-5-90
M53MB-90-PG.....	S53MB-5-90

**Maxon**

401826.....	D35LD-7-16
D2604.....	D35LD-7-16

**McClain**

1001160.....	S85DC-66-250
1001163.....	S85DC-66-235
1002190.....	D62LB-5-80
1002191.....	D72LB-9-80
HCL85X235.....	S85DC-66-235
HCL85X250.....	S85DC-66-250
HCL96X480.....	SD96MC-5-480

**McClain Ez Pack**

20-04001.....	3782000014
20-41381.....	D40CB-10-42
20-43726.....	D40DB-7-28.5
20-43727.....	D40DB-7-28.5
20-44095.....	D60DC-12-42.62
20-44969.....	D40DB-7-28.5
20-44973.....	D60DC-12-42.62
20-46076.....	D40DB-7-28.5
20-46077.....	D60DC-12-42.62
20-46119.....	D45CD-5-49.12
20-46159.....	D40CB-10-42
20-46163.....	D45CD-5-49.12
20-46171.....	D45CD-5-49.12
20-46372.....	D40DB-7-28.5
20-47048.....	D30LD-8-33.38

**McClain Ez Pack**

20-47088.....	D40CB-10-42
20-47091.....	D40DB-7-28.5
20-47092.....	D60DC-12-42.62
20-48279.....	D60DC-12-42.62
20-48280.....	D40DB-7-28.5
20-48519.....	D55CC-12-49.12
20-49273.....	D45CD-5-49.12
20-49277.....	D45CD-5-49.12
20-49897.....	D40DB-7-28.5
20-49898.....	D60DC-12-42.62
20-52344.....	D45CD-5-49.12
20-52347.....	D30LD-8-33.38
20-52355.....	D55CC-12-49.12
21-01530.....	D60DC-12-42.62
21-01531.....	D40DB-7-28.5
21-01987.....	SD63CB-26-197
21-02220.....	D40DB-7-25.62
21-02610.....	D40DB-7-25.62
21-02832.....	D40CB-10-42
21-03153.....	D40LD-10-24.75
21-03854.....	SD52CB-6-132.75
21-04536.....	SD63CB-26-132.75
21-04537.....	SD63CB-26-167
21-04538.....	SD63CB-26-197
21-05358.....	D45CD-4-49.12
21-06096.....	SD63CB-27-167
21-09228.....	D40LD-11-24.75
21-12851.....	D55CC-12-49.12
21-14658.....	D40DB-7-28.5
21-14659.....	D60DC-12-42.62
21-14661.....	D40DB-7-25.62
21-15639.....	D55CC-12-49.12
21-15641.....	D45CD-4-49.12
21-15642.....	D40LD-11-24.75
21-15644.....	D30LD-8-33.38
21-15770.....	SD63CB-26-167
21-15771.....	SD63CB-27-167
21-15772.....	SD63CB-26-197
21-15773.....	SD63CB-26-132.75
21-16048.....	SD52CB-6-132.75
4028BDA.....	D40DB-7-28.5
4028CDA.....	D40DB-7-28.5
4028DA.....	D40DB-7-28.5
4549DA.....	D45CD-5-49.12
6042ADA.....	D60DC-12-42.62
6042DA.....	D60DC-12-42.62
70-1251.....	SD85CC-19-378
70-1510.....	SD85CC-19-378
70-1549.....	SD85CC-19-378
70-1592.....	SD63CB-26-167
70-1601.....	SD63CB-26-132.75
70-1619.....	SD63CB-26-167
70-1627.....	SD63CB-26-132.75
70-1632.....	SD85CC-19-378
70-1730.....	SD63CB-26-167
70-1731.....	SD63CB-26-132.75
85378DA.....	SD85CC-19-378
C3033EDA.....	D30LD-8-33.38
C4025NDA.....	D40DB-7-25.62
C4025RDA.....	D40LD-11-24.75
C4028MDA.....	D40DB-7-28.5
C4549NDA.....	D45CD-4-49.12
C52133CDA.....	SD52CB-6-132.75
C5549CDA.....	D55CC-12-49.12
C6042MDA.....	D60DC-12-42.62
C63133ADA.....	SD63CB-26-132.75
C63133EDA.....	SD63CB-26-132.75
C63167BDA.....	SD63CB-26-167
C63167HDA.....	SD63CB-26-167
C63167JDA.....	SD63CB-27-167
C63198DDA.....	SD63CB-26-197
C85378DDA.....	SD85CC-19-378
D3033ADA.....	D30LD-8-33.38
D4028DDA.....	D40DB-7-28.5
D4028EDA.....	D40DB-7-28.5
D4028FDA.....	D40DB-7-28.5
D4028GDA.....	D40DB-7-28.5
D4028KDA.....	D40DB-7-28.5

**Crossover and Application Data is for Reference Purpose Only. No Other Conditions are Expressed or Implied.**

**Note: It is the Users Responsibility to Verify if the Replacement Cylinder is Interchangeable.**

**Note: In some applications, modifications may be required for proper cylinder installation.**

**McClain Ez Pack**

D4042BDA	D40CB-10-42
D4042CDA	D40CB-10-42
D4549ADA	D45CD-5-49.12
D4549BDA	D45CD-5-49.12
D4549DDA	D45CD-5-49.12
D4549EDA	D45CD-5-49.12
D5549DA	D55CC-12-49.12
D6042BDA	D60DC-12-42.62
D6042CDA	D60DC-12-42.62
D6042DDA	D60DC-12-42.62
D6042HDA	D60DC-12-42.62
D63133DA	SD63CB-26-132.75
D63167DA	SD63CB-26-167
D85378BDA	SD85CC-19-378
D85378CDA	SD85CC-19-378
J4549FDA	D45CD-5-49.12
K3033DDA	D30LD-8-33.38
K4025GDA	D40DB-7-25.62
K4025JDA	D40LD-10-24.75
K4025KDA	D40LD-11-24.75
K4028LDA	D40DB-7-28.5
K4042DDA	D40CB-10-42
K4549LDA	D45CD-5-49.12
K4549MDA	D45CD-4-49.12
K52133DA	SD52CB-6-132.75
K5549ADA	D55CC-12-49.12
K5549BDA	D55CC-12-49.12
K6042LDA	D60DC-12-42.62
K63133CDA	SD63CB-26-132.75
K63133DDA	SD63CB-26-132.75
K63167DDA	SD63CB-26-167
K63167FDA	SD63CB-26-167
K63167GDA	SD63CB-27-167
K63198ADA	SD63CB-26-197
K63198BDA	SD63CB-26-197

**McNeilus (MTM)**

0126256	D45DD-10-52.75
0604124	SD53CC-48-164
0604126	D60DC-13-65.75
0604134	D50DD-29-25.62
0604135	D55DD-14-38.62
0604136	S31CB-2-42
0604137	SD74DC-7-119
0604145	D45DD-9-23
0604146	D50DD-30-32.50
0604976	D50DD-32-37.25
0606971	SD63DC-CP493-46
0614333	D35CC-27-26
0614366	D45CC-20-46
0614371	D20DD-8-95
0619882	D32LL-11-38
0619891	D45CC-20-46
0626003	SD85MC-15-220
0635876	D50DD-28-39.50
0651550	D62LB-5-80
0660778	D20DD-8-95
0661950	SD63CC-44-164
0661951	SD63CC-44-181
1000067	D32LL-11-38
1000068	D35CC-27-26
1000069	D45CC-20-46
1000077	D20DD-8-95
1000081	SD53CC-48-164
1000094	D50DD-28-39.50
1000160	D20DD-8-95
1100031	D45DD-10-52.75
1100038	D60DC-13-65.75
1105524	D30CE-11-18.50
1106845	D40LD-10-24.75
1106846	D45CD-5-49.12
1107471	SD63CB-26-167
1107676	D50CC-25-43
1107976	D50CC-25-43
1107995	D17AE-2-71.88
1107996	D30CC-20-8.00
1108091	D30CC-17-28.19
1108092	D55CC-6-63

**McNeilus (MTM)**

1108093	D40CD-13-37
1108095	S52DB-9-67.50
1108097	D30CC-19-16.00
1108107	D45CC-19-41.50
1108108	D30CC-18-8.00
1108110	D30CC-19-16.00
1108286	D55DD-14-38.62
1108287	D50DD-29-25.62
1108291	D50DD-30-32.50
1108292	D45DD-9-23
1108293	S31CB-2-42
1108973	D60BC-5-30.31
1109039	SD53CC-51-182
1109094	D17AE-2-71.88
1109095	D30CE-11-18.50
1109096	D30CC-20-8.00
1109097	D30CC-18-8.00
1109279	D30CC-20-8.00
1109305	SD63CC-39-167
1109314	SD64DC-5-145
1109368	D50DD-32-37.25
1109612	S41LC-1-39.38
1109698	D30CA-2-3.62
1109699	D60DB-23-72
1109700	D70LN-5-80
1130000	SD63CC-44-164
1130000R	SD63CC-44-164
1130001	SD63CC-44-181
1130001R	SD63CC-44-181
1130015	D30CC-19-16.00
1130637	D55CC-9-35.88
1130638	D40CD-14-25
1130640	D30CC-13-21.62
1130642	D50CC-25-43
1130728	D17AE-2-71.88
1130729	D30CC-19-16.00
1131210	D40CD-8-22
1131389	D40DB-7-28.5
1131703	D30CC-20-8.00
1131704	D30CE-11-18.50
1131705	D50CC-25-43
1132626	D20DD-6-6.25
1132629	D20DD-6-6.25
1132746	D60CL-2-40
1132757	SD63CB-23-118
1132770	D30CE-11-18.50
1132771	D30CC-20-8.00
1132774	D17AE-2-71.88
1132775	D30CC-19-16.00
1136597	S52CC-41-54.62
1136607	SD53CC-51-151.5
1136614	D30CC-27-27.50
1137327	D40CC-27-19
1137328	S52CC-41-54.62
1137329	D55CC-7-24
1138697	SD63CB-26-197
1139663	D40LD-11-24.75
1139665	D60DC-12-42.62
1139666	D40DB-7-28.5
1140624	SD63CC-44-164
1140624R	SD63CC-44-164
1140625	SD63CC-44-181
1140625R	SD63CC-44-181
1141048	D30CC-20-8.00
1141057	D50CC-25-43
1142328	S52CC-41-54.62
1142458	SD63CC-44-181
1144059	SD63CC-44-164
1144702	D20DD-8-95
1144703	D32LL-11-38
1144704	D35CC-27-26
1144708	D45CC-20-46
1145282	D45DD-10-52.75
1145283	D20DD-6-6.25
1145616	D35DD-7-17.88
1145648	D20DD-6-6.25
1146285	D62LB-5-80
1147920	SD74DC-7-119

**McNeilus (MTM)**

1148071	SD52DC-CP626-38
1148237	D72LB-9-80
1149090	D25LL-16-24
1149192	D40CD-14-25
1149523	D40CB-10-42
1149552	D35CD-10-20
1149557	D40DD-19-22.50
1149600	D50DC-4-40
1149968	D45CC-19-41.50
1151008	D60DC-13-65.75
1151133	D20DD-6-6.25
1151216	D25LL-15-84
1151217	D25LL-14-42
1151218	D40CL-13-45.38
1151219	D45LD-7-45.38
1151220	D35LD-5-19
1151221	D60DD-20-79
1151222	D70DD-9-79
1151224	D40MD-1-72
1151227	D30LD-10-36
1151228	D65CC-9-66
1151229	D35CC-28-38
1151231	D30CD-13-28
1156041	SD63CB-27-167
1156070	1-6720
1156344	S52CC-41-67.25
1164534	SD53CD-3-156.88
1164535	SD53CD-3-168
1164536	SD53CD-3-185.75
1178457	D32CC-12-15.50
1179422	1179422
1180843	D25LD-2-90
1180847	D30CC-20-8.00
1180858	D45CC-19-41.50
1180859	D40CD-8-22
1180860	D50CC-24-34.19
1180862	D30CC-17-28.19
1180868	D30CC-17-28.19
1180871	D35LD-7-16
1180873	D35CD-11-19
1180875	1-6720
1181025	SD53CC-48-164
1226778	D55CC-12-49.12
1227259	D30LD-8-33.38
1229097	SD64DC-7-133.12
1229475	SD53CC-51-151.5
1229476	D62LB-5-80
1237803	SD63CB-26-132.75
1237805	D40CB-10-42
1237806	D55CC-6-63
1237809	SD63CB-26-167
1237810	SD63CB-27-167
1237811	SD63CB-26-197
1237812	SD63CC-44-181
1254376	SD63CC-44-164
1254377	D50CC-24-34.19
1257605	D40CD-16-29.50
1259507	SD53CD-3-156.88
1263111	SD53CD-3-168
1263244	SD53CD-3-156.88
1263245	SD53CD-3-168
1263246	SD53CD-3-185.75
1273348	D45DD-10-52.75
200.126256	D45DD-10-52.75
200.126256R	D45DD-10-52.75
200.16418R	C3667
2114661	D40DB-7-25.62
643705	D35DD-7-17.88
643706	D20DD-6-6.25
9070.614333	D35CC-27-26
9070.614333R	D35CC-27-26
9070.651550	D62LB-5-80
9070.654695	D62LB-5-80
9070.654697	D72LB-9-80
9072.604134	D50DD-29-25.62
9072.604135	D55DD-14-38.62
9072.604137	SD74DC-7-119
9170.614371	D20DD-8-95

**Crossover and Application Data is for Reference Purpose Only. No Other Conditions are Expressed or Implied.**

**Note: It is the Users Responsibility to Verify if the Replacement Cylinder is Interchangeable.**

**Note: In some applications, modifications may be required for proper cylinder installation.**



**McNeilus (MTM)**

9170.660778	D20DD-8-95
9172.604147	D20DD-8-95
9180.651550	D62LB-5-80
9180.654697	D72LB-9-80
9270.604124	SD53CC-48-164
9270.604124R	SD53CC-48-164
9270.604126	D60DC-13-65.75
9270.604137	SD74DC-7-119
9270.606971	SD63DC-CP493-46
9270.635876	D50DD-28-39.50
9270.673087	SD52DC-CP626-38
9272.604124	SD53CC-48-164
9272.604126	D60DC-13-65.75
9272.604127	D32LL-11-38
9370.604124	SD53CC-48-164
9370.604127	D32LL-11-38
9370.604136	S31CB-2-42
9370.619882	D32LL-11-38
9430.661950	SD63CC-44-164
9430.661951	SD63CC-44-181
9470.604124	SD53CC-48-164
9470.604134	D50DD-29-25.62
9470.604135	D55DD-14-38.62
9470.604145	D45DD-9-23
9470.604146	D50DD-30-32.50
9470.615860	D50DD-28-39.50
9470.630861	D50DD-28-39.50
9570.614333	D35CC-27-26
9570.614366	D45CC-20-46
9570.614380	D45CC-20-46
9570.619891	D45CC-20-46
9570.643705	D35DD-7-17.88
9570.643706	D20DD-6-6.25
9572.601047	D3837
9830.620509	D60BC-6-27.81
9830.620698	D60BC-5-30.31 536
9870.620568	D60BC-5-30.31
9870.620569	D60CD-5-34
9870.620645	D50CB-8-27
9870.620695	D60BC-5-30.31 495
9870.622401	D50CC-27-36
9870.622402	D55CC-10-24.25
9870.623499	D60CF-3-32.38
9870.623999	S41LC-1-39.38
9872.623428	SD86OO-1-146
9872.626002	SD84MC-18-176
9872.626003	SD85MC-15-220
9872.626004	SD85MC-16-220
9880.623829	SD64CC-7-132
9970.601047	D3837
9970.604976	D50DD-32-37.25

**Pak-Mor**

2001103	SD84MC-18-152
2001105	SD84MC-18-176
2001106	SD85MC-15-220
2001111	SD85MC-16-220
2001116	SD95MC-6-220
2001120	SD95MC-6-220
4148037	D60CL-2-40

**Palmer Machine**

8-4-148	S84DC-66-148
8-4-152 P	S84DC-66-148 CM20
8-4-156	S84DC-66-156
8-4-180	S84DC-66-180
8-4-188	S84DC-66-180 CM20
8-5-172	S85DC-66-160 CM18
8-5-190 P	S85DC-66-190
8-5-220	S85DC-66-220

**Parts Place**

10DB08042C	D50CB-8-27
10DB08042F	D50CB-8-27
10DB08043F	D60CD-5-34
2021-04536C	SD63CB-26-132.75
2021-04537C	SD63CB-26-167
40307081H	D60BC-5-30.31

**Parts Place**

40309787H	SD64DC-5-145
652001106C	SD85MC-15-220
82HH001H	D62LB-5-80
82HH002H	D72LB-9-80
87H1020	D40CD-16-29.50

**Peabody Galion**

21-04001	3782000014
30-00199	S63MC-21-108
30-00201	S63MC-21-128
3024CDA	3782000014
31-00080	S63MC-21-80
31-00215	S53MB-5-90
5381	S53DC-60-81
5389	S53MB-5-90
5389B	S53MB-5-90
5389E	S53MB-5-90
63108	S63DC-60-106
63128	S63DC-60-125
6380A	S63DC-60-79.12
6380G	S63DC-60-79.12
6392	S63DC-60-92
6392A	S63DC-60-92
70-1022	S63DC-60-92
70-1023	S84DC-66-188
70-1031	S53MB-5-90
70-1040	S85DC-66-220
70-1049	S85DC-66-220
70-1052	S85DC-66-220
70-1061	S74DC-74-120 CM38
70-1113	S53DC-60-81
70-1115	S63DC-60-106
70-1116	S63DC-60-125
70-1118	S73DC-60-125
70-1119	S74DC-60-165.75
70-1124	S85DC-66-197
70-1125	S95DC-52-30.31
70-1126	S95DC-52-220
70-1127	S95DC-52-250
70-1262	S53MB-5-90
70-1271	S73DC-60-142
70-1272	S63DC-60-92
70-1328	S63DC-60-79.12
70-1431	S53MB-5-90
70-1481	S53MB-5-90
70-1482	S53DC-60-81
70-1483	S63DC-60-92
70-1484	S63DC-60-106
70-1485	S63DC-60-125
70-1486	S73DC-60-125
70-1490	S63DC-60-79.12
70-1493	S73DC-60-142
70-1494	S74DC-60-165.75
70-1534	S73DC-60-125
70-1554	S73DC-60-142
70-1561	S63DC-60-92
70-1593	S73DC-60-142
70-1603	S63DC-60-106
70-1604	S63DC-60-125
70-1606	S73DC-60-125
70-1608	S74DC-60-165.75
70-1611	S73DC-60-125
70-1645	S73DC-60-125
70-1648	S63DC-60-125
70-1649	S63DC-60-92
70-1650	S63DC-60-106
70-1651	S74DC-60-165.75
70-1654	S53MB-5-90
70-1658	S63DC-60-79.12
70-1669	S73DC-60-142
70-1671	S53DC-60-81
70-1699	S53MB-5-90
70-1735	S53DC-60-81
70-1736	S63DC-60-79.12
70-1737	S63DC-60-106
70-1738	S63DC-60-125
70-1739	S63DC-60-92
70-1741	S73DC-60-125

**Peabody Galion**

70-1742	S73DC-60-142
70-1743	S74DC-60-165.75
73126-G	S73DC-60-125
73142A	S73DC-60-142
74120	S74DC-74-120 CM38
74167	S74DC-60-165.75
84188-G	S84DC-66-188
85204	S85DC-66-197
85220	S85DC-66-220
95199	S95DC-52-190
95230	S95DC-52-220
95260	S95DC-52-250
C5381L	S53DC-60-81
C5389J	S53MB-5-90
C63108M	S63DC-60-106
C63126M	S63DC-60-125
C6380P	S63DC-60-79.12
C6392H	S63DC-60-92
C73126D	S73DC-60-125
C73126J	S73DC-60-125
C73142D	S73DC-60-142
C73142F	S73DC-60-142
C74167F	S74DC-60-165.75
D5381F	S53DC-60-81
D5389F	S53MB-5-90
D63108H	S63DC-60-106
D63108K	S63DC-60-106
D63128G	S63DC-60-125
D63128K	S63DC-60-125
D6380M	S63DC-60-79.12
D6392E	S63DC-60-92
D6392F	S63DC-60-92
D73126D	S73DC-60-125
D73126E	S73DC-60-125
D73126F	S73DC-60-125
D73126G	S73DC-60-125
D73142B	S73DC-60-142
D73142C	S73DC-60-142
D74167D	S74DC-60-165.75
D74167E	S74DC-60-165.75
FD73-142A	S73DC-60-142
K5381P	S53DC-60-81
K5389K	S53MB-5-90
K5389L	S53MB-5-90
K63108N	S63DC-60-106
K63108R	S63MC-21-108
K63128R	S63DC-60-125
K63128U	S63MC-21-128
K6380T	S63DC-60-79.12
K6380W	S63MC-21-80
K6392K	S63DC-60-92
K73126M	S73DC-60-125
K73142G	S73DC-60-142
K74167G	S74DC-60-165.75

**Perfection**

375	M42DB-43-P
475	M52CB-43-P
53105V	S53DC-65-104
53120V	S53DC-65-120
5372V	S53DC-66-72 CM69
5388V	S53DC-66-84
63105V	S63DC-101-107
63120A	S63DC-101-120
63A132V	S63DC-96-130
73A132	S73DC-66-129
85A195V	S85DC-66-190
85A235V	S85DC-66-235
A154781	S84DC-66-170
A154875	S84DC-66-170
A154877	S84DC-66-140
A154879	S85DC-66-170
A1553380000	M42DB-43-P
A1553420000	M52CB-43-P
A22275	S53DC-65-120
A24176	M42DB-43-P
A24976	M52CB-43-P
A27123	S63DC-101-107
A27134	S63DC-101-120

**Crossover and Application Data is for Reference Purpose Only. No Other Conditions are Expressed or Implied.**

**Note: It is the Users Responsibility to Verify if the Replacement Cylinder is Interchangeable.**

**Note: In some applications, modifications may be required for proper cylinder installation.**

**Perfection**

A29651	.....	S53DC-65-104
A29652, 53120V	.....	S53DC-65-120
A29732	.....	S53DC-66-84
A29741, 6388V	.....	S63DC-101-86
A58627, 6386V	.....	S63DC-101-86
A59327	.....	S74DC-74-135
A68577	.....	S53DC-66-72 CM69
A68827	.....	S84DC-66-170
A68829	.....	S85DC-66-170
A68832	.....	S95DC-52-220
A68835	.....	S95DC-52-250
A68841	.....	S84DC-66-140
A68859	.....	S63DC-96-130
A69064	.....	S73DC-66-120
A69066	.....	S74DC-74-120
A69067	.....	S74DC-74-135
A69069	.....	S85DC-66-170
A69070	.....	S85DC-66-190
A69071	.....	S85DC-66-220
A69072	.....	S85DC-66-235
A69073	.....	S85DC-66-250
A76479	.....	S73DC-66-129
A80314	.....	S84DC-66-170
A92097	.....	S95DC-52-190
A94464	.....	S85DC-66-235
A98278	.....	S84DC-66-170
A99108	.....	S85DC-66-190

**Prince**

AG284	.....	D70LN-5-80
AH314	.....	SD63CC-23-167
AW330	.....	B1043
AW331	.....	D70LN-5-80
AW332	.....	D70LN-5-90
AW333	.....	B2461
J1335	.....	D60DB-23-72
S373	.....	SD62CB-12-114
S588	.....	D70LN-5-80
S589	.....	D70LN-5-90

**R/S Body**

100655	.....	S84DC-66-188 CM22
100665	.....	S84DC-66-170 CM22
100720	.....	S84DC-66-188 CM22
100742	.....	S85MC-48-235
100756	.....	S74DC-74-180
100859	.....	S63DC-101-107 CM26
101055	.....	S95DC-52-250 CM22
700100	.....	S53DC-66-72
700102	.....	S53DC-66-84
700103	.....	S53DC-65-104
700104	.....	S63DC-101-86
700106	.....	S63DC-101-104
700108	.....	S63DC-101-107
700109	.....	S63DC-101-120
700110	.....	S63DC-101-126
700112	.....	S63DC-101-140
700114	.....	S73DC-66-110
700116	.....	S73DC-66-120
700118	.....	S73DC-66-124
700120	.....	S73DC-66-140
700122	.....	S73DC-66-150
700124	.....	S74DC-74-135
700126	.....	S74DC-74-140
700128	.....	S74DC-74-156
700130	.....	S74DC-74-167
700132	.....	S74DC-74-180
700134	.....	S84DC-66-156
700135	.....	S84DC-66-180
700136	.....	S85DC-66-235
700138	.....	S85DC-66-250
700140	.....	S95DC-52-250
700142	.....	S95DC-52-300
700146	.....	S84DC-66-170
700148	.....	S85DC-66-190
700150 RS	.....	S85DC-66-220
700152	.....	S85DC-66-265
700156	.....	S95DC-52-235

**R/S Body**

700158	.....	S95DC-52-320
700164	.....	S95DC-52-280

**Rapid Rail / Heil**

L10-00	.....	D17AE-2-71.88
L7-00	.....	D30CC-20-8.00
L8-00	.....	D30CC-19-16.00
P23-00	.....	D50CC-25-43
T11-00	.....	D30CE-11-18.50

**Rosenboom Machine**

100EM0149	.....	D20DD-6-6.25
100EM0162	.....	D20DD-6-6.25
100EP0026	.....	D20DD-8-95
100GS0028	.....	D32LL-11-38
100HS0058	.....	D35CC-27-26
100HS0074	.....	D35DD-7-17.88
100HV0010	.....	S31CB-2-42
100KT0009	.....	D45CC-20-46
100KV0018-5	.....	D45DD-10-52.75
100KW0012	.....	D45DD-9-23
100LW0017	.....	D50CC-24-34.19
100LX0005	.....	D50DD-29-25.62
100LX0006	.....	D50DD-30-32.50
100LX0007-1	.....	D50DD-32-37.25
100MX0006-1	.....	D55CC-6-63
100MY0003-1	.....	D55DD-14-38.62
102LB0002-5	.....	SD52DC-CP626-38
102NC0004-5	.....	SD63CC-44-164
102NC0005-5	.....	SD63CC-44-181
102NC0013-5	.....	1179422
102NC004-5	.....	SD63CC-44-164
102NC005-5	.....	SD63CC-44-181
102PD0003-5	.....	SD74DC-7-119
120NC0014-5(-16)	.....	SD53CC-48-164

**Rudco**

P28-022	.....	D62LB-5-80
P28-052	.....	D72LB-9-80

**Skytop Brewster**

082060-02-51	.....	SD83CC-24-131
082060-02-54	.....	SD83CC-24-132

**Somerset Welding**

CY-2018 B60-18	.....	D84DB-7-25
----------------	-------	------------

**Steco**

90015-1	.....	S85MC-48-265
ST-90004	.....	S85DC-66-250
ST-90005	.....	S85DC-66-235
ST-90015	.....	S85DC-66-265
ST-90017	.....	S85DC-66-220
ST-90032	.....	DAT96-48-492

**Tesco Williamsen**

327-01-100	.....	S42MB-3-90
327-01-103	.....	S53MB-3-120
327-01-104	.....	S63MB-9-120
327-01-106	.....	S63MB-8-140
327-01-107	.....	S74MB-3-154
327-01-108	.....	S74MB-3-172
327-01-127	.....	S74MB-5-167
4290VI	.....	S42MB-3-90
53120VI	.....	S53MB-3-120
63120VI	.....	S63MB-9-120
63140VI	.....	S63MB-8-140
74154VI	.....	S74MB-3-154
74172VI	.....	S74MB-3-172
WFMS-4290T	.....	S42MB-3-90
WFMS-53120T	.....	S53MB-3-120
WHP-53120VI	.....	S53MB-3-120
WHP-63140VI	.....	S63MB-8-140
WHP-74154VI	.....	S74MB-3-154
WHP-74172VI	.....	S74MB-3-172

**Texas Hydraulics**

HS3520024SA	.....	D35CD-10-20
HS5027048SF	.....	D50CB-8-27
HS6034040SH	.....	D60CD-5-34
S400722432PPAZ	.....	D40DD-19-22.50
TH6079064PA3	.....	D60DD-20-79
TH6079064PA-03	.....	D60DD-20-79
TH7079064PA-5	.....	D70DD-9-79

**Ti Brook**

701700320	.....	S85DC-66-285
-----------	-------	--------------

**Trailmobile**

428-3-150	.....	S85DC-66-190 CM53
428-3-151	.....	S85DC-66-220 CM65
428-3-156	.....	S95DC-52-235 CM42
428-3-157	.....	S95DC-52-250 CM42
P1027	.....	SD84CC-20-178

**Universal Handling**

M612-7000	.....	D45DD-9-23
M612-8000	.....	D50DD-30-32.50

**Vector / Guzzler**

1200334	.....	S63DC-101-107
1201552	.....	SD63DB-14-120
1202100	.....	SD84MC-18-176

**Wabash National**

WC1392-2	.....	S85DC-66-190
WC1392-3	.....	S84DC-66-148
WALINGA	.....	
64-16622-6	.....	S85DC-66-220

**Ward**

5044-165	.....	S74DC-74-161
5054-170	.....	S85DC-66-170
5054-190	.....	S85DC-66-190
5054-220	.....	S85DC-66-220
5054-235	.....	S85DC-66-235

**Warren Inc**

FHC-50166	.....	S84DC-66-170
FHC-50167	.....	S85DC-66-190
FHC-50168	.....	S85DC-66-220
FHC-50169	.....	S85DC-66-220
FHC-50171	.....	S85DC-66-250
FHC-50172	.....	S85DC-66-265
FHC-50191	.....	S84DC-66-180

**Western Trailer**

8009-017	.....	S85DC-66-220
----------	-------	--------------

**Wittke**

014-0208	.....	D35CD-11-19
095-6024	.....	SD53CD-3-156.88
100-10-1801	.....	D30DD-16-16.00
100-14-1610	.....	D30DD-16-16.00
E0302160	.....	D35CD-11-19
FL7-A066	.....	D35CD-11-19
FL7-A110	.....	D45LD-7-45.38
FL7-A116	.....	SD53CD-3-156.88
FL7-A117	.....	SD53CD-3-168
FL7-A117W	.....	SD53CD-3-168
FL7-A118	.....	SD53CD-3-185.75
FL7-A118W	.....	SD53CD-3-185.75
FL7-A125	.....	SD53CD-3-156.88
FL7-A125W	.....	SD53CD-3-156.88
FLHC-25	.....	D25LL-14-42
FLHC-26B	.....	D40CL-13-45.38
FLHC-26C	.....	D45LD-7-45.38
FLHC-27	.....	D35LD-5-19
FLHC-28C	.....	D45LD-7-45.38
FLHC-30	.....	SD53CD-3-156.88
FLHC-31	.....	SD53CD-3-168
FLHC-32	.....	SD53CD-3-185.75
FLHC-34	.....	D25LL-15-84
FLHC-42	.....	D30DD-16-16.00

**Crossover and Application Data is for Reference Purpose Only. No Other Conditions are Expressed or Implied.**

**Note: It is the Users Responsibility to Verify if the Replacement Cylinder is Interchangeable.**

**Note: In some applications, modifications may be required for proper cylinder installation.**

**Wittke**

MLHC-02 .....	D50DD-25-40
FLHC-07 .....	SD53CD-3-156.88
FLHC-08 .....	SD53CD-3-168
FLHC-18 .....	SD53CD-3-156.88
FLHC-19 .....	SD53CD-3-168
FLHC-20 .....	SD53CD-3-185.75
FLHC-27A.....	D35LD-5-19



Parker Hannifin Corporation  
**Mobile Cylinder Div.**  
P.O. Box 239  
Youngstown, OH 44501-0239  
phone (330) 480-8431  
fax (330) 480-8432



## ***Normal Maintenance Items***

---

Packing, wipers and bushings are considered normal maintenance or service items. These items are subject to contamination from external and internal foreign materials, many of which are abrasive in nature, causing abnormal wear or damage to the parts, to the extent that replacements are required.

### ***WARNING!!***

***Before working on a telescopic cylinder mounted on a truck or trailer unit, use supports or holding devices that will absolutely prevent the body from accidentally lowering. Place control valve in the “Lower” position to assure that all pressure has been relieved from the cylinder.***

**Because of our self-compensating Packing design, Standard Commercial Hydraulics Cylinders require no packing adjustment. For Commercial Packing Assembly Installation Procedure see Service Repair Kit Page.**

### **Procedure for Adjusting Telescopic Cylinder Head Nuts. (For Cylinder designs using no Wave Springs and/or no U-Seals)**

1. Loosen set screw (or set screws) in head nut that holds in packing of leaking stage.
2. Lightly tap head nut around circumference with a hammer.
3. Back head nut off 1/2 to 1 full turn using a spanner or chain wrench.  
(Note: If stage rotates when head nut is turned, hold stage with a strap wrench.)
4. Cycle cylinder 2 to 3 times to reset chevron vee packing.
5. Retighten head nut approximately 1/2 turn further than it was when it was loosened.
6. Tighten set screws.

### **Procedure for Mis-Staging or Mis-Sequencing Cylinder.**

1. Loosen set screws in head nut that holds in packing which fits over stage that is sticking.
2. Lightly tap head nut around circumference with a hammer.
3. Back head nut off 1/2 turn using a spanner or chain wrench.
4. Cycle cylinder, if cylinder still mis-stages, back head nut off another 1/2 turn.
5. Cycle cylinder, if cylinder still mis-stages, tighten the head nut of the next stage that is extending.
6. Tighten set screws.

### **Bleeding Air from Single-Acting Telescopic Cylinders.**

For smooth operation of these cylinders, it is advisable to bleed the air from the cylinder weekly.

Manual bleeding is accomplished by:

1. Empty the dump body of any material.
2. Remove the cover plate from the dog house of the dump body to access the bleeder valve.
3. Fully extend the cylinder, raising the EMPTY dump bed.
4. Lower the dump to within 1 foot from resting on the frame.
5. With the fingers, turn the bleeder valve in a counterclockwise direction. This opens the valve and allows the air to escape from the cylinder.
6. When a steady stream of oil comes from the bleeder, turn the valve in a clockwise direction until it is closed.

**If these procedures fail to correct the problem, please contact an  
Authorized Service Center for Instructions.**

## ***Hydraulic Oil Recommendations***

---

All cylinder parts, with the exception of a few items, are lubricated by the hydraulic oil in the circuit. Particular attention must be paid to keep the oil in the circuit clean. Whenever there is a hydraulic component failure (cylinder, pump, valve), and there is a reason to feel that metal particles may be in the system, the oil must be drained, the entire system flushed clean, and any filter screens thoroughly cleaned or replaced. New oil should be supplied for the entire system. Oil suitable and recommended for use in circuits involving Commercial cylinders should meet the following specifications:

***These suggestions are intended as a guide only.  
Obtain your final oil recommendations from your oil supplier.***

### **Viscosity Recommendations:**

Optimum operating viscosity is considered to be about 100 SSU.

\* 50 SSU minimum @ operating temperature  
7500 SSU maximum @ starting temperature

\* 150 to 225 SSU @ 100° F. (37.8° C.) (generally)  
44 to 48 SSU @ 210° F. (98.9° C.) (generally)

### **Other Desirable Properties:**

Viscosity Index: 90 minimum  
Aniline point: 175 minimum

### **Additives Usually Recommended:**

Rust and Oxidation (R & O) Inhibitors  
Foam Depressant

### **Other Desirable Characteristics:**

Stability of physical and chemical characteristics.  
High demulsibility (low emulsibility) for separation of water, air and contaminants.  
Resistant to the formation of gums, sludges, acids, tars and varnishes.  
High lubricity and film strength.

### **General Recommendations:**

A good quality hydraulic oil conforming to the characteristics listed above is essential to the satisfactory performance and long life of any hydraulic system.

Oil should be changed on regular schedules in accordance with the manufactures recommendations and the system periodically flushed.

Oil operating temperature should not exceed 200° F. (93° C.) with a maximum of 180° F. (82° C.) generally recommended. 120° F. to 140° F. (50° C. to 60° C.) is generally considered optimum. High temperatures result in rapid oil deterioration and may point out a need for an oil cooler or a larger reservoir. The nearer to optimum temperature, the longer the service life of the oil and the hydraulic components.

Reservoir size should be large enough to hold and cool all the fluid a system will need, yet it should not be wastefully large. Minimum required capacity can vary anywhere between 1 and 3 times pump output. The reservoir must be able to hold all of the fluid displaced by retracted cylinders when the system is not operating, yet provide space for expansion and foaming.

Oil poured into the reservoir should pass through a 100 mesh screen. Pour only clean oil from clean containers into the reservoir.

### **Approximate SSU at . . .**

Oil Grade	100° F. (37.8° C.)	210° F. (98.9° C.)
SAE 10	150	43
SAE 20	330	51

### **Normal Temperatures:**

0° F. (-18° C.) to 100° F. (37.8° C.) ambient  
100° F. (37.8° C.) to 180° F. (82.2° C.) system

Be sure the oil you use is recommended for the temperature you expect to encounter.

*Never use Crank Case Drainings, Kerosene, Fuel Oil, or any Non-Lubricating Fluid, such as Water.*



## **Standard Test Procedure for Hydraulic Cylinders**

---

### **1) Function Test**

Once the Cylinder is placed on the test stand and hydraulic lines attached, the cylinder will be cycled its full stroke a minimum of three (3) full cycles.

The cylinder will be rejected if it functions erratically. Erratic function is excessive chatter, slapstrick, stalling and uncorrectable misstaging.

### **2) Proof Pressure Test**

After the function test is performed the cylinder will be extended fully and pressure held for a minimum of thirty (30) seconds. This pressure will be 2500 psi or a pressure indicated on the assembly print. The cylinder will be rejected for external leakage or structural deformation. If the cylinder is double acting, it will be fully retracted and pressure held for a minimum of thirty (30) seconds. The pressure will be 2500 psi or a pressure indicated on the assembly print. The cylinder will be rejected for external leakage or structural deformation.

### **3) Internal Bypass Test**

This test will be performed on all double acting cylinders and can be done in conjunction with the Proof Pressure Test. The cylinder will be fully extended and pressure held at 2500 psi. The retract line will be removed and piston seal bypass will be determined by the flow out of this cylinder port. Excessive bypass will be a cause for cylinder rejection. The cylinder will be fully retracted and pressure held at 2500 psi. The extend line will be removed and the piston bypass will be determined by the flow out of this cylinder port. The cylinder will be rejected for excessive flow. When making this test the hydraulic line should be completely removed from the cylinder port, and the open line from the valve should be plugged or capped since a slight back pressure in the tank return line would spill oil from the line if not plugged.

Pass/Fail criteria if not noted on Assembly drawing is as follows:

Cast Iron Rings Normal Maximum leakage 1 GPM.

Bypass = 1/2 cubic inch per inch of bore diameter per minute.

Extend bypass would be 1/2 cubic inch per inch of plunger piston ring OD per minute.

Retract bypass would be 1/2 cubic inch per inch of piston ring OD per minute of each stage added together.

Example SD73 Series;

Extend bypass;  $1/2 \times 5.25 = 2.62$  cubic in / min.

Retract bypass;  $(1/2 \times 7.25) + (1/2 \times 6.25) + (1/2 \times 5.25) = 9.38$  cubic in / min.

Soft Seals Maximum leakage 5 drops per minute.

### **Please Note**

#### **Before Installing a New Cylinder in an old application**

*Has the problem been corrected that caused the original cylinder to fail?*

*Is the hydraulic fluid clean of all contamination, water, and entrapped air?*

*Are the hydraulic system relief valve pressures set and operating properly?*

*Is the mechanism or unit the cylinder is operating in good mechanical condition?*

## ***Storage and Installation***

---

### STORAGE

It pays to keep spare hydraulic cylinders on hand for use when you need them. But, you must know and follow these recommended storage practices or the cylinders can be ruined. Hydraulic cylinders, though often large and unwieldy, are precision machines with finely finished parts and close tolerances. And they're expensive. So handle them with care.

For optimum storage life, hydraulic cylinders should be kept in an environment that is protected from excessive moisture and temperature extremes. A hot, dry desert climate with cold nights, for example, must be accommodated when choosing the storage area. Daytime heat quickly bakes oil out of sealing materials, which causes leaks and rapid wear when the cylinder is placed in service. Cooling at night causes water condensation and corrosion damage to wear surfaces. Storage areas that allow exposure to rain, snow and extreme cold must like wise be avoided.

It's best to store cylinders indoors if possible. But indoors or out, be sure that plugs or closures are properly installed in all ports to keep out moisture and dirt. However, overtightening of port plugs should be avoided. Widely varying temperatures and tightly closed ports may cause pressure inside the cylinder to build up to the point where the piston moves far enough to expose the rod to corrosion or contamination. Try to choose a storage location where the cylinders are protected from physical damage. Even a little ding from a falling bar or forklift tine can cause trouble later.

Cylinders, Particularly large ones, should be stored closed in a vertical position with the rod end down. Be sure they're blocked securely to keep them from toppling. Storing with the rod ends down keeps oil on the seals, which protects them from drying out. This is more critical with fabric and butyl seals than with urethane sealing materials. Storing single-acting cylinders with the rod end up can cause port closures to pop open and leak, exposing the sleeves to corrosion damage and contamination. Storing with the rod end down also discourages the temptation to lift a cylinder by the rod eye – a dangerous practice. If horizontal storage cannot be avoided, the rod or cylinder should be rolled into a new position every two months or so to prevent drying, distortion and deterioration of the seals. Don't forget that a cylinder can be a major source of contamination. A small scratch or nick on the sleeve will quickly shred packing and contaminate the system. Store cylinders carefully and keep them clean.

The following procedures should be followed in order to prevent oxidation and maintain the surfaces of a mounted hydraulic cylinder during idle periods. These idle periods may include; inventory units, demo units, out of service units, etc.

- All machined surfaces left expose should be coated with a light film of grease, if not oxidation will occur.
- If oxidation is present, apply a light coat of oil to the surfaces.
- Buff surfaces with 320 or 400 grit sandpaper. Do not buff surfaces up and down the length, buff only around the circumference.
- If after buffing, the surfaces show evidence of oxidation damage i.e., pitting, the cylinder should be inspected by an authorized service center for evaluation.
- Operation of a hydraulic cylinder with surface damage will shorten the longevity and preclude any warranty express or implied.

### INSTALLATION

· Cleanliness is an important consideration, and Parker cylinders are shipped with the ports plugged to protect them from contaminants entering the ports. These plugs should not be removed until the piping is to be installed. Before making the connection to the cylinder ports, the piping should be thoroughly cleaned to remove all chips or burrs which might have resulted from threading or flaring operations. One small foreign particle can cause premature failure of the cylinder or other hydraulic system components. If oxidation is present, apply a light coat of oil to the surfaces.

- Proper alignment of the cylinder piston rod and its mating component on the machine should be checked in both the extended and retracted positions. Improper alignment will result in excessive rod gland and/or cylinder bore wear.
- Cylinders operating in an environment where air drying material are present such as fast- drying chemicals, paint, or welding splatter, or other hazardous conditions such as excessive heat, should have shields installed to prevent damage to the piston rod and piston rod seals.

## Front Mount Dump Body Stroke & Lifting Calculations

**Note: This guide is for use to determine approximate stroke and lifting requirements for a Front Mount Dump Body, they should not be used for Frameless Type Trailers, Underbody, Telescopic Farm (slant forward or rearward), or Scissor Type Hoists. Final dimensions and calculations should be determined by an engineering drawing.**

Formula for Calculating Initial Required Cylinder Force to Lift a Load

$$\frac{\text{Load (lbs)} \times \text{"A"}}{\text{"B"}} = \text{Initial required cylinder force}$$

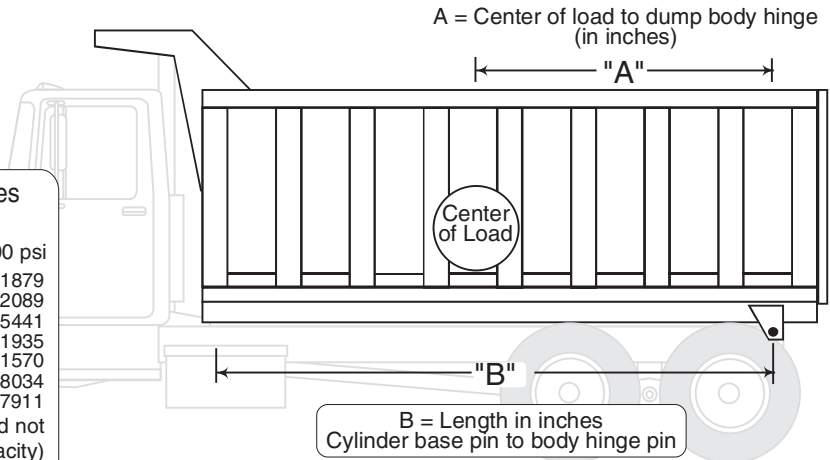
Example

$$\frac{50,000\# \times 85"}{166"} = 25,603\# \text{ of force to start the lift}$$

### Commercial Telescopic Lifting Capacities

Stage O.D. in inches	System operating pressure			
	800 psi	1000 psi	1500 psi	2000 psi
2.75"	4752	5940	8909	11879
3.75"	8836	11045	16567	22089
4.75"	14176	17721	26581	35441
5.75"	20774	25967	38951	51935
6.75"	28628	35785	53677	71570
7.90"	39213	49017	73525	98034
9.37"	55165	68956	103434	137911

Note: For a good design, initial pressure should not exceed 800 psi at start of lift. Effective force (capacity) is only that of the sleeve / stage which is moving and will decrease as cylinder changes to the next moving sleeve. The effective force will also be reduced if the cylinder is pushing at an angle.



Formula for Calculating the Required Cylinder Stroke for a Dump Angle

$$\text{"B"} \times \text{"D"} = \text{Approximate Stroke}$$

Example

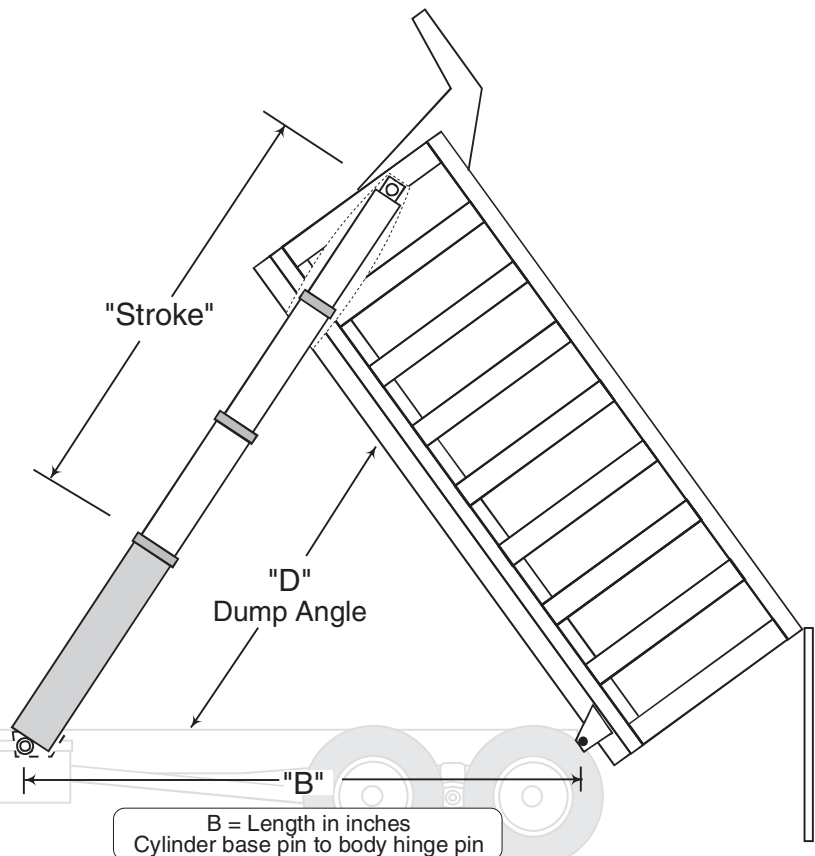
$$166" \text{ (B)} \times .845 \text{ (D)} = 140" \text{ Stroke}$$

### Dump Angle Multipliers

"D" = Dump Angle

.715	=	42 deg
.733	=	43 deg
.750	=	44 deg
.765	=	45 deg
.780	=	46 deg
.797	=	47 deg
.813	=	48 deg
.830	=	49 deg
.845	=	50 deg
.861	=	51 deg
.877	=	52 deg
.892	=	53 deg
.903	=	54 deg
.923	=	55 deg
.939	=	56 deg
.954	=	57 deg

Normal minimum dump angle is 45 degree  
Normal maximum dump angle is 57 degree





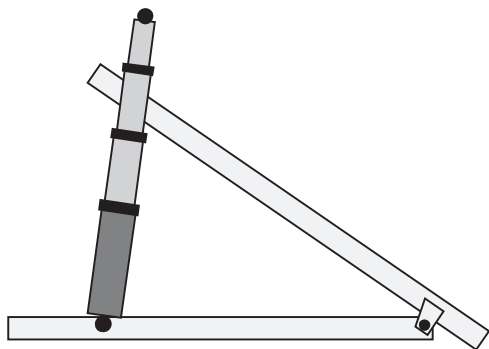
**Commodities & Materials Approximate Weights****Approximate Weights of Materials**

Material	lbs. / cu. yd.	tons / cu. yd.	Material	lbs. / cu. yd.	tons / cu. yd.
Andesite stone	4887	2.44	Earth & sand, wet	3240	1.62
Ashes	1080	0.52	Fire Brick	3915	1.95
Asphalt	2700	1.35	Fire Clay	3510	1.75
Asphaltum	2349	1.17	Garbage	1150	0.57
Basalt rock	4887	2.44	Gravel, dry	2970	1.48
Brick, soft clay	2718	1.35	Gravel, out of water	1620	0.81
Brick, hard clay	3397	1.69	Granite	4536	2.26
Brick, pressed	3806	1.9	Lime, quick, loose	1431	0.71
Brick, paving	4246	2.12	Lime, quick, shaken	1485	0.70
Block, paving	3694	1.84	Limestone, solid	4536	2.26
Bluestone	2970	1.48	Limestone, loose	2592	1.29
Cement, natural	1512	0.75	Marble, solid	4455	2.22
Cement, Portland	2430	1.21	Marble, loose	2592	1.29
Cement, Portland, set	4941	2.47	Mortar, set	2781	1.39
Cement, Rosendale	1863	0.93	Mud, dry	2430	1.21
Cinders	1080	0.54	Mud, packed	3105	1.55
Clay, dry	1701	0.85	Mud, wet	2916	1.45
Clay, wet	2970	1.48	Pitch	1863	0.93
Clay & gravel, dry	2700	1.35	Plaster of Paris	2646	1.32
Coal, anthracite	1536	0.76	Powder, blasting	1682	0.84
Coal, bituminous	1275	0.64	Quartz	4374	2.18
Coke	837	0.42	Rubbish	199.8	0.09
Concrete, cinders	2970	1.48	Sand, dry, loose	2619	1.30
Concrete, gravel	4104	2.05	Sand, wet	3186	1.59
Concrete, limestone	4050	2.02	Sandstone	4023	2.01
Concrete, sandstone	3915	1.95	Slag, bank	1890	0.94
Concrete, trap rock	4185	2.09	Slag, screenings	2700	1.35
Crushed stone	2700	1.35	Slag, machine	2592	1.29
Earth, dry, loose	1890	0.94	Slag, sand	1485	0.74
Earth, damp, loose	2106	1.05	Shale	4374	2.18
Earth, damp packed	2592	1.29	Slate	4725	2.31
Earth & gravel, dry	2700	1.35	Tar	1674	0.83
Earth & gravel, wet	3240	1.62	Tile	2970	1.43
Earth & sand, dry	2709	1.35	Trap stone	5849	2.52

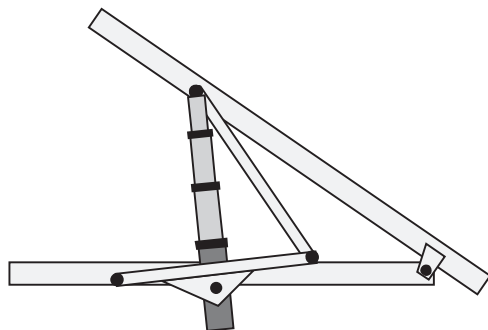
**Steel & Aluminum Gauge, Thickness and Weight**

<b>Steel</b>		
3/8"	0.375	15.320 lbs. per sq. ft.
1/4" (approx. 3 Ga.)	0.250	10.200 lbs. per sq. ft.
3/16" (approx. 7 Ga.)	0.188	7.650 lbs. per sq. ft.
8 Ga.	0.164	6.875 lbs. per sq. ft.
9 Ga.	0.149	6.250 lbs. per sq. ft.
10 Ga.	0.134	5.625 lbs. per sq. ft.
11 Ga.	0.120	5.000 lbs. per sq. ft.
12 Ga.	0.105	4.375 lbs. per sq. ft.
13 Ga.	0.090	3.750 lbs. per sq. ft.
14 Ga.	0.075	3.125 lbs. per sq. ft.
<b>Aluminum</b>		
3/8"	0.375	5.18 lbs. per sq. ft.
1/4"	0.250	3.53 lbs. per sq. ft.
3/16"	0.188	2.65 lbs. per sq. ft.
5/32"	0.156	2.25 lbs. per sq. ft.

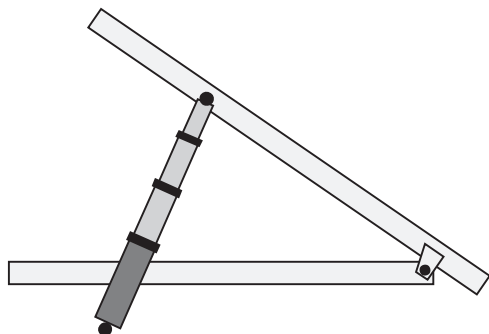
# Dump Hoist Type Identification Chart



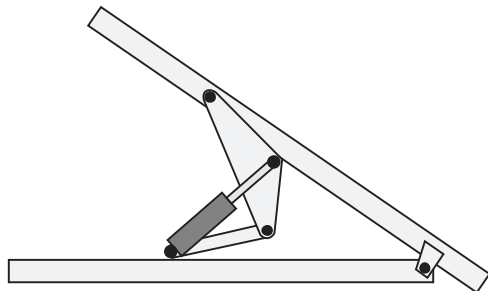
**FRONT MOUNT TELESCOPIC**  
HEAD LIFT OR BOTTOM LIFT



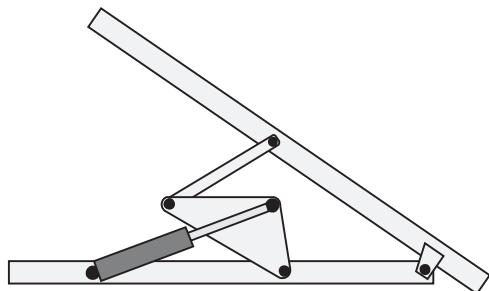
**TELESCOPIC SCISSOR**  
HINGE FORWARD OR REARWARD



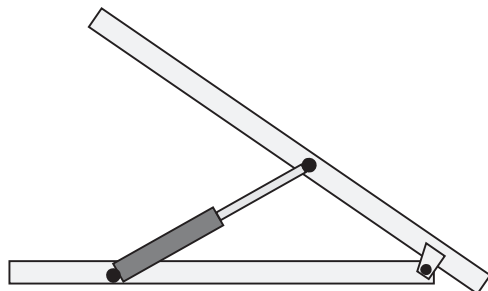
**UNDERBODY TELESCOPIC**  
SLANT FORWARD OR SLANT REARWARD



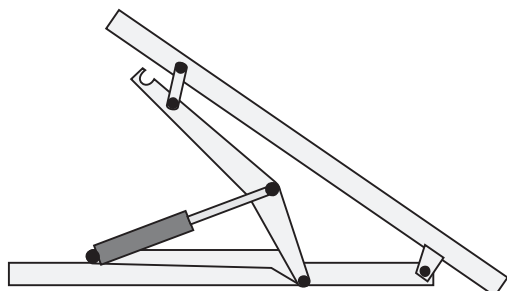
**SINGLE STAGE SCISSOR**



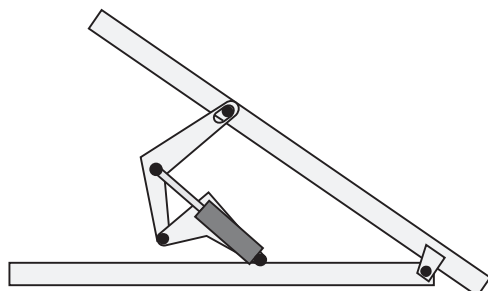
**UNDER BODY ARM HOIST**



**UNDER BODY DIRECT LIFT**



**UNDER BODY ARM - SCISSOR**

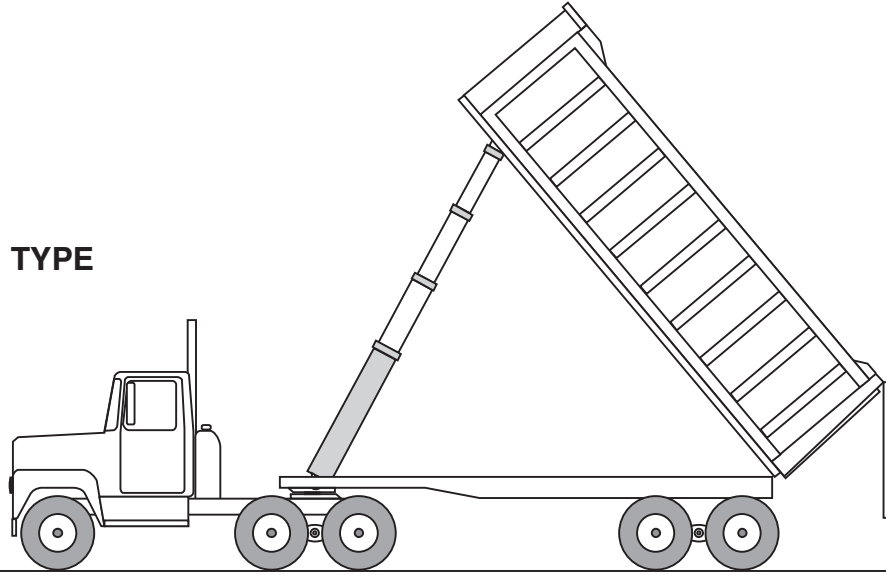


**LOST MOTION SCISSOR**

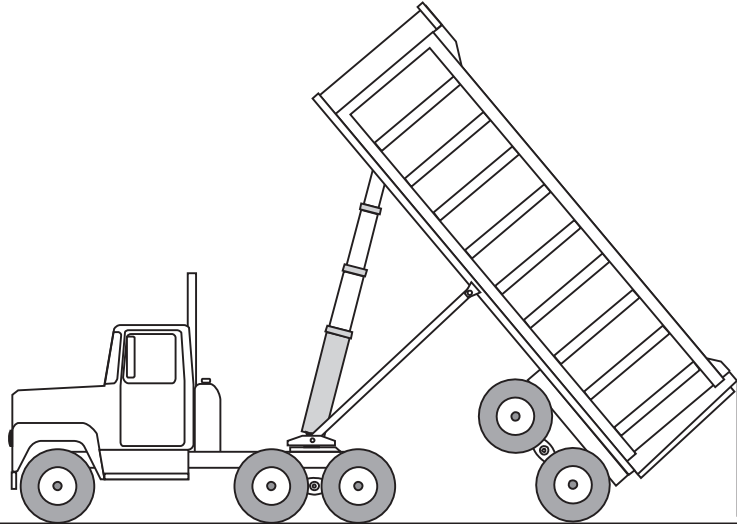
# Dump Trailer Type Identification Chart

---

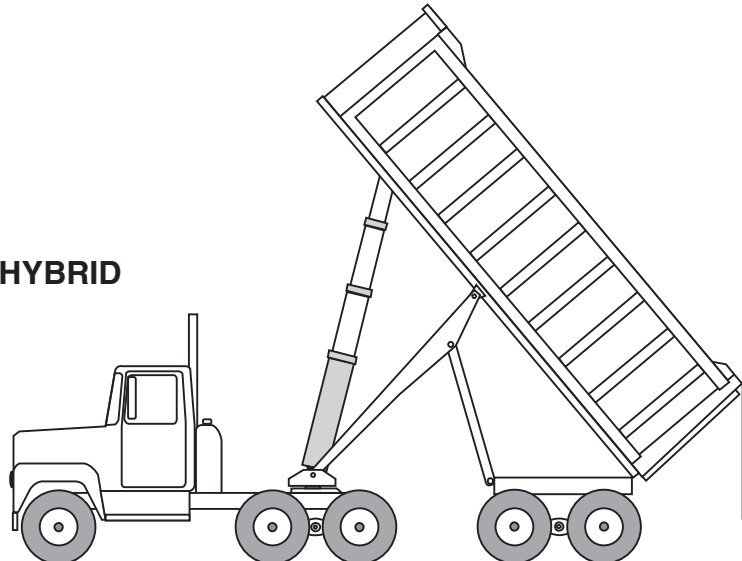
**FRAME TYPE**



**FRAMELESS**

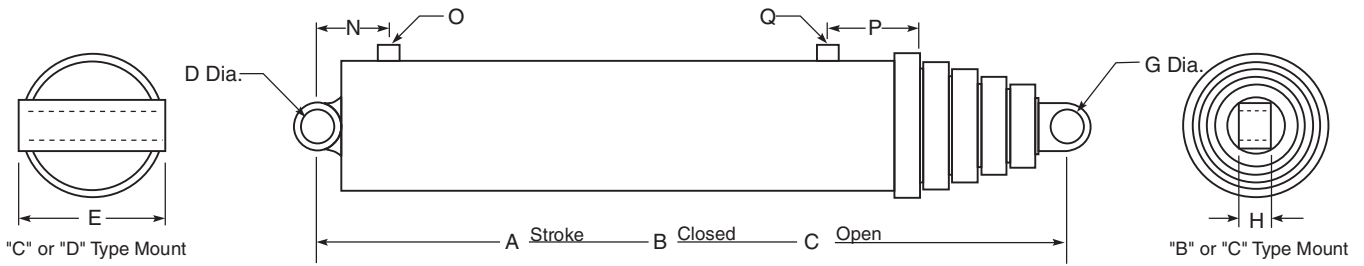


**FRAMELESS HYBRID**





## Single-Acting Telescopic Cylinders With CC, DB, and DC Mounts

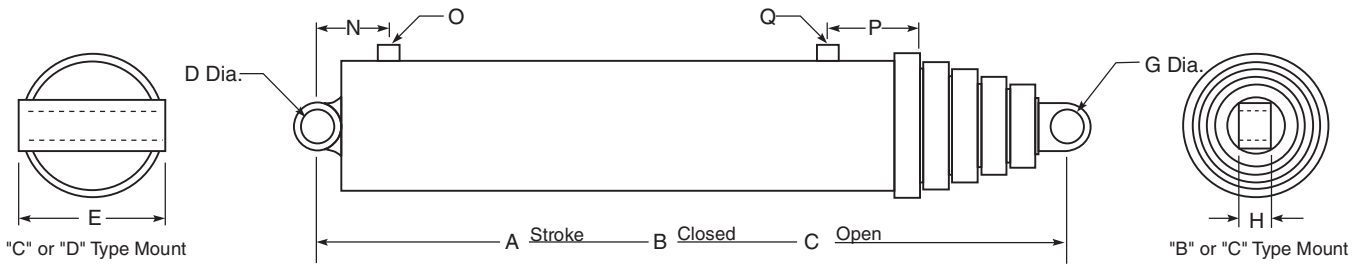


ENGINEERING NUMBER	10 DIGIT NUMBER	NOMINAL STAGE OD	NUMBER STAGES	A STROKE	B CLOSED	C OPEN	D PIN	E WIDTH	G PIN	H WIDTH
S42CC-19-40	3771012052	4	2	40.00	32.44	72.44	1.50	2.00	1.50	2.00
S43DB-3-75	3781013005	4	3	75.00	33.88	108.88	2.00	5.00	1.25	1.69
S52CC-41-54.62	3771512092	5	2	54.62	38.00	92.62	2.50	3.62	2.50	3.62
S52CC-41-67.25	3771512091	5	2	67.25	46.81	114.06	2.50	3.62	2.50	3.62
S52DB-9-67.50	3771512080	5	2	67.50	46.75	114.25	3.00	5.50	2.00	3.00
S53DB-13-60	3781513005	5	3	60.00	30.00	90.00	2.00	6.00	1.50	2.63
S53DB-18-90	3781513008	5	3	90.00	39.75	129.75	2.00	6.00	1.50	2.63
S53DC-65-104	3771513168	5	3	104.00	47.69	151.69	2.00	7.00	1.75	2.00
S53DC-65-107	3771513169	5	3	107.56	48.38	155.94	2.00	7.00	1.75	2.00
S53DC-65-120	3771513166	5	3	120.13	53.06	173.19	2.00	7.00	1.75	2.00
S53DC-65-126	3771513170	5	3	126.63	54.56	181.19	2.00	7.00	1.75	2.00
S53DC-66-72	3771513172	5	3	72.00	37.19	109.19	2.00	7.00	1.63	1.50
S53DC-66-84	3771513171	5	3	84.00	41.19	125.19	2.00	7.00	1.63	1.50
S53DC-68-105	3771513176	5	3	105.00	48.50	153.50	2.00	7.75	1.75	1.50
S53DC-68-120	3771513177	5	3	120.00	52.50	172.50	2.00	7.75	1.75	1.50
S53DC-68-123	3771513178	5	3	123.00	54.50	177.50	2.00	7.75	1.75	1.50
S53DC-68-99	3771513175	5	3	99.00	46.50	145.50	2.00	7.75	1.75	1.50
S63DC-101-104	3771413319	6	3	103.94	47.00	150.94	2.00	7.00	2.00	2.00
S63DC-101-107	3771413320	6	3	107.56	48.38	155.94	2.00	7.00	2.00	2.00
S63DC-101-120	3771413321	6	3	120.06	52.62	172.68	2.00	7.00	2.00	2.00
S63DC-101-126	3771413322	6	3	126.31	54.56	180.87	2.00	7.00	2.00	2.00
S63DC-101-140	3771413324	6	3	140.25	59.81	200.06	2.00	7.00	2.00	2.00
S63DC-101-150	3771413318	6	3	149.88	63.00	212.88	2.00	7.00	2.00	2.00
S63DC-101-86	3771413316	6	3	86.75	40.88	127.63	2.00	7.00	2.00	2.00
S63DC-101-92	3771413317	6	3	92.00	45.00	137.00	2.00	7.00	2.00	2.00
S63DC-102-120	3771413325	6	3	120.00	53.50	173.50	2.38	8.00	2.19	1.50
S63DC-102-126	3771413326	6	3	126.00	55.50	181.50	2.38	8.00	2.19	1.50
S63DC-102-138	3771413327	6	3	138.00	59.50	197.50	2.38	8.00	2.19	1.50
S63DC-102-150	3771413328	6	3	150.00	66.00	216.00	2.38	8.00	2.19	1.50
S63DC-102-162	3771413329	6	3	162.00	67.50	229.50	2.38	8.00	2.19	1.50
S63DC-79-67	3771413260	5	3	67.00	36.50	103.50	3.00	7.88	1.75	1.50
S63DC-96-130	3771413308	6	3	130.00	56.00	186.00	2.00	7.00	2.00	2.00
S63DC-96-82.50	3771413306	6	3	82.50	43.56	126.06	2.00	7.00	2.00	2.00
S63DC-97-111	3771413309	6	3	111.00	49.94	160.94	2.00	7.00	2.00	2.00
S63DC-97-123	3771413310	6	3	123.00	54.94	177.94	2.00	7.00	2.00	2.00

Note; Diameters D and G are for nominal pin size, for actual hole size refer to print.

Note; Nominal Stage OD, refers to the Largest Moving Sleeve.

# Single-Acting Telescopic Cylinders With CC, DB, and DC Mounts

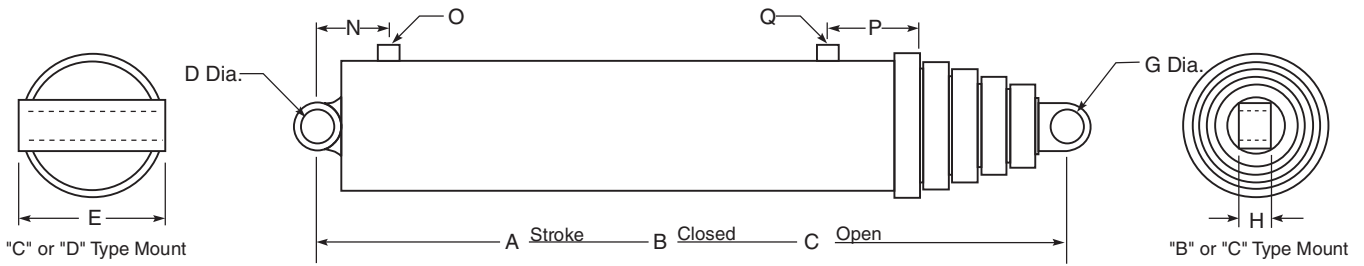


10 DIGIT NUMBER	N LOCATION	O SIZE	P LOCATION	Q SIZE	GALS TO FILL	GALS TO EXTEND	WEIGHT LBS	REBUILD KIT	REPACK KIT
3771012052	14"	1/2" NPT			2.07	2.46	52	3751805175	3751805174
3781013005			19"	1/2" NPT	0.77	2.11	85	3751805720	3751804368
3771512092	3.88"	#8 SAE			2	3.4	120	3751805581	3751805580
3771512091	3.88"	#8 SAE			2.51	4.17	145	3751805581	3751805580
3771512080	20"	#12 SAE			2.42	4.2	135	3751805581	3751805580
3781513005			19"	1/2" NPT	1.7	3	120	3751804017	3911804020
3781513008			19"	3/4" NPT	1.22	4.45	200	3751804017	3911804020
3771513168			15.50"	1" NPT	2.4	5.89	175	3751804017	3911804020
3771513169			9.94"	1" NPT	2.4	5.89	178	3751804017	3911804020
3771513166			15.50"	1" NPT	2.42	5.9	195	3751804017	3911804020
3771513170			16.12"	1" NPT	2.42	5.9	205	3751804017	3911804020
3771513172	19.50"	3/4" NPT			1.8	3.5	165	3751804017	3911804020
3771513171	19.50"	3/4" NPT			1.8	3.5	170	3751804017	3911804020
3771513176	24.81"	#16 90D SAE			2	5.2	170	3751804017	3911804020
3771513177	24.81"	#16 90D SAE			1.62	5.9	220	3751804017	3911804020
3771513178	24.81"	#16 90D SAE			2.8	6.1	232	3751804017	3911804020
3771513175	24.81"	#16 90D SAE			1.95	4.87	165	3751804017	3911804020
3771413319	20.81"	1" NPT			1.75	8.05	250	3751804018	3911804109
3771413320	20.81"	1" NPT			1.82	8.37	256	3751804018	3911804109
3771413321	20.81"	1" NPT			2.03	9.33	275	3751804018	3911804109
3771413322	20.81"	1" NPT			2.13	9.84	285	3751804018	3911804109
3771413324	20.81"	1" NPT			2.37	10.94	310	3751804018	3911804109
3771413318	20.81"	1" NPT			2.53	11.71	325	3751804018	3911804109
3771413316	20.81"	1" NPT			1.47	6.79	225	3751804018	3911804109
3771413317	20.81"	1" NPT			1.56	7.14	195	3751804018	3911804109
3771413325	24.91"	#16 90D SAE			2.02	9.4	270	3751804018	3911804109
3771413326	24.91"	#16 90D SAE			2.13	9.9	275	3751804018	3911804109
3771413327	24.91"	#16 90D SAE			2.33	11.1	300	3751804018	3911804109
3771413328	24.91"	#16 90D SAE			2.54	11.9	330	3751804018	3911804109
3771413329	24.91"	#16 90D SAE			2.75	12.64	330	3751804018	3911804109
3771413260	20.50"	3/4" NPT			2.18	5.12	180	3751805654	3751805594
3771413308	20.81"	1" 90D NPT			2.15	10.85	295	3751804018	3911804109
3771413306	20.81"	1" 90D NPT			2.15	10.85	230	3751804018	3911804109
3771413309	3.81"	1" NPT	24"	1" NPT	1.87	8.61	270	3751804018	3911804109
3771413310	3.81"	1" NPT	29"	1" NPT	2.08	9.63	285	3751804018	3911804109

Note; Diameters D and G are for nominal pin size, for actual hole size refer to print.

Note; Nominal Stage OD, refers to the Largest Moving Sleeve.

## Single-Acting Telescopic Cylinders With CC, DB, and DC Mounts

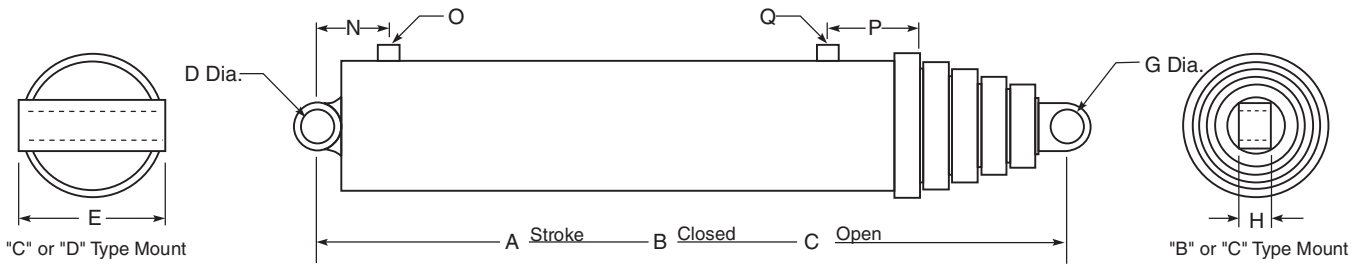


ENGINEERING NUMBER	10 DIGIT NUMBER	NOMINAL STAGE OD	NUMBER STAGES	A STROKE	B CLOSED	C OPEN	D PIN	E WIDTH	G PIN	H WIDTH
S64DB-12-135	3771414058	6	4	135.00	47.19	182.19	1.75	8.00	1.50	2.69
S64DB-12-156	3771414056	6	4	156.00	53.19	209.19	1.75	8.00	1.50	2.69
S64DC-14-156	3771414059	6	4	156.00	53.62	209.62	2.00	7.25	2.00	1.75
S64DC-15-157	3771414061	6	4	157.00	58.56	215.56	1.50	7.00	1.50	2.00
S73DC-66-110	3772513127	7	3	110.63	50.06	160.69	2.00	8.25	2.00	2.00
S73DC-66-120	3772513132	7	3	120.00	53.12	173.12	2.00	8.25	2.00	2.00
S73DC-66-124	3772513128	7	3	124.88	54.81	179.69	2.00	8.25	2.00	2.00
S73DC-66-129	3772513135	7	3	129.00	56.50	185.50	2.00	8.25	2.00	2.00
S73DC-66-140	3772513129	7	3	140.44	60.00	200.44	2.00	8.25	2.00	2.00
S73DC-66-150	3772513131	7	3	150.00	63.50	213.50	2.00	8.25	2.00	2.00
S74DC-74-120	3772514124	7	4	120.00	44.12	164.12	2.00	8.25	2.00	2.00
S74DC-74-135	3772514125	7	4	135.00	48.44	183.44	2.00	8.25	2.00	2.00
S74DC-74-140	3772514122	7	4	140.00	49.75	189.75	2.00	8.25	2.00	2.00
S74DC-74-156	3772514123	7	4	156.00	53.75	209.75	2.00	8.25	2.00	2.00
S74DC-74-161	3772514120	7	4	161.75	55.31	217.06	2.00	8.25	2.00	2.00
S74DC-74-180	3772514126	7	4	180.00	61.12	241.12	2.00	8.25	2.00	2.00
S84DC-40-170	3772914050	8	4	170.00	57.25	227.25	2.00	9.50	2.00	2.00
S84DC-66-140	3772914080	8	4	140.00	49.75	189.75	2.00	9.50	2.00	2.00
S84DC-66-148	3772914081	8	4	147.75	51.50	199.25	2.00	9.50	2.00	2.00
S84DC-66-156	3772914086	8	4	156.00	53.75	209.75	2.00	9.50	2.00	2.00
S84DC-66-161	3772914082	8	4	160.00	55.75	215.75	2.00	9.50	2.00	2.00
S84DC-66-170	3772914083	8	4	170.00	57.25	227.25	2.00	9.50	2.00	2.00
S84DC-66-180	3772914084	8	4	180.00	59.75	239.75	2.00	9.50	2.00	2.00
S84DC-66-188	3772914085	8	4	188.00	61.75	249.75	2.00	9.50	2.00	2.00
S85DC-66-170	3772915164	8	5	170.00	49.88	219.88	2.00	9.50	2.00	2.00
S85DC-66-190	3772915166	8	5	189.00	54.62	243.62	2.00	9.50	2.00	2.00
S85DC-66-197	3772915162	8	5	196.13	55.25	251.38	2.00	9.50	2.00	2.00
S85DC-66-220	3772915167	8	5	219.00	60.00	279.00	2.00	9.50	2.00	2.00
S85DC-66-235	3772915161	8	5	234.00	64.62	298.62	2.00	9.50	2.00	2.00
S85DC-66-250	3772915160	8	5	249.00	68.62	317.62	2.00	9.50	2.00	2.00
S85DC-66-265	3772915165	8	5	265.00	71.00	336.00	2.00	9.50	2.00	2.00
S85DC-66-285	3772915163	8	5	285.00	78.50	363.50	2.00	9.50	2.00	2.00

Note; Diameters D and G are for nominal pin size, for actual hole size refer to print.

Note; Nominal Stage OD, refers to the Largest Moving Sleeve.

## Single-Acting Telescopic Cylinders With CC, DB, and DC Mounts



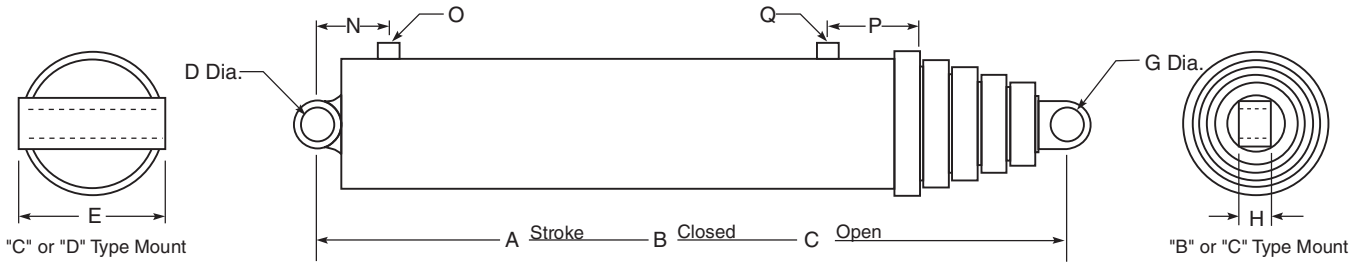
10 DIGIT NUMBER	N LOCATION	O SIZE	P LOCATION	Q SIZE	GALS TO FILL	GALS TO EXTEND	WEIGHT LBS	REBUILD KIT	REPACK KIT
3771414058			5.50"	2, 3/4" NPT	2.6	8.1	275	3751804021	3911804237
3771414056			5.50"	2, 3/4" NPT	3.2	10.1	293	3751804021	3911804237
3771414059	6.31"	1" NPT			2.5	10.01	310	3751804021	3911804237
3771414061	4.31"	1" NPT			3.8	9.5	310	3751804021	3911804237
3772513127	7.06"	1" NPT	4.62"	1" NPT	2.34	12.6	335	3751804019	3751804002
3772513132	7.06"	1" NPT	4.62"	1" NPT	2.4	13.5	360	3751804019	3751804002
3772513128	7.06"	1" NPT	4.62"	1" NPT	2.53	14.2	370	3751804019	3751804002
3772513135	8.56"	1" NPT	4.62"	1" NPT	2.6	14.7	385	3751804019	3751804002
3772513129	7.06"	1" NPT	4.62"	1" NPT	2.84	16.1	400	3751804019	3751804002
3772513131	7.06"	1" NPT	4.62"	1" NPT	3.1	17.1	420	3751804019	3751804002
3772514124	7.06"	1" NPT	4.62"	1" NPT	2.2	11.5	325	3751804022	3751804003
3772514125	7.06"	1" NPT	4.62"	1" NPT	2.5	13	375	3751804022	3751804003
3772514122	7.06"	1" NPT	4.62"	1" NPT	2.6	13.5	365	3751804022	3751804003
3772514123	7.06"	1" NPT	4.62"	1" NPT	2.9	15.1	388	3751804022	3751804003
3772514120	7.06"	1" NPT	4.62"	1" NPT	4.48	15.5	405	3751804022	3751804003
3772514126	7.06"	1" NPT	4.62"	1" NPT	3.5	17.4	430	3751804022	3751804003
3772914050	6.50"	1" NPT	5.62"	1" NPT	7.6	23.3	570	3751804023	3911804054
3772914080	6.50"	1" NPT	5.62"	1" NPT	3	19.1	488	3751804023	3911804054
3772914081	6.50"	1" NPT	5.62"	1" NPT	3.2	20.2	515	3751804023	3911804054
3772914086	5.56"	1" NPT	5.62"	1" NPT	3.4	21.3	535	3751804023	3911804054
3772914082	6.50"	1" NPT	5.62"	1" NPT	3.5	22	555	3751804023	3911804054
3772914083	6.50"	1" NPT	5.62"	1" NPT	3.7	23.4	568	3751804023	3911804054
3772914084	6.50"	1" NPT	5.62"	1" NPT	3.9	24.7	591	3751804023	3911804054
3772914085	6.50"	1" NPT	5.62"	1" NPT	4.1	25.8	610	3751804023	3911804054
3772915164	6.50"	1" NPT	5.62"	1" NPT	3.4	20	516	3751804024	3911804060
3772915166	6.50"	1" NPT	5.62"	1" NPT	3.8	22.3	555	3751804024	3911804060
3772915162	6.50"	1" NPT	5.62"	1" NPT	3.9	23.1	560	3751804024	3911804060
3772915167	6.50"	1" NPT	5.62"	1" NPT	4.4	25.9	565	3751804024	3911804060
3772915161	6.50"	1" NPT	5.62"	1" NPT	4.7	27.7	650	3751804024	3911804060
3772915160	6.50"	1" NPT	5.62"	1" NPT	5	29.5	685	3751804024	3911804060
3772915165	6.50"	1" NPT	5.62"	1" NPT	5.3	31.5	715	3751804024	3911804060
3772915163	6.50"	1" NPT	5.62"	1" NPT	5.7	34	795	3751804024	3911804060

Note; Diameters D and G are for nominal pin size, for actual hole size refer to print.

Note; Nominal Stage OD, refers to the Largest Moving Sleeve.



## Single-Acting Telescopic Cylinders With CC, DB, and DC Mounts

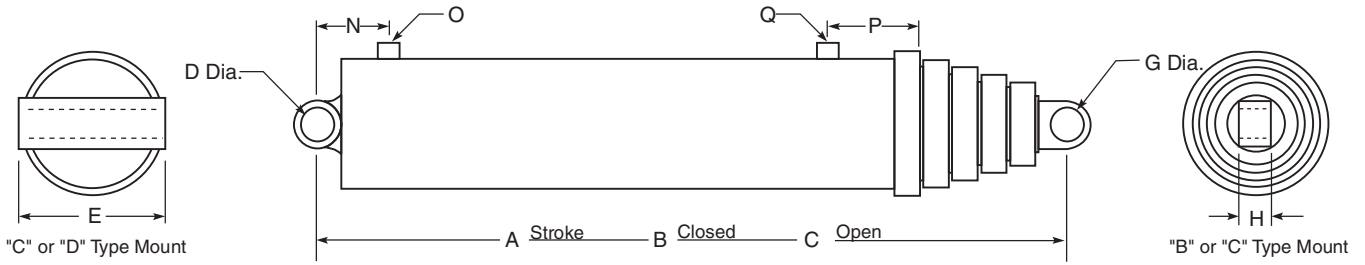


ENGINEERING NUMBER	10 DIGIT NUMBER	NOMINAL STAGE OD	NUMBER STAGES	A STROKE	B CLOSED	C OPEN	D PIN	E WIDTH	G PIN	H WIDTH
S95DC-52-190	3773115068	9	5	190.00	56.00	246.00	2.00	10.88	2.00	2.00
S95DC-52-220	3773115064	9	5	218.00	62.44	280.44	2.00	10.88	2.00	2.00
S95DC-52-235	3773115063	9	5	233.00	65.44	298.44	2.00	10.88	2.00	2.00
S95DC-52-250	3773115061	9	5	248.00	68.44	316.44	2.00	10.88	2.00	2.00
S95DC-52-265	3773115069	9	5	265.00	72.62	337.62	2.00	10.88	2.00	2.00
S95DC-52-280	3773115067	9	5	280.00	78.62	358.62	2.00	10.88	2.00	2.00
S95DC-52-300	3773115066	9	5	300.00	79.00	379.00	2.00	10.88	2.00	2.00
S95DC-52-320	3773115065	9	5	320.00	83.00	403.00	2.00	10.88	2.00	2.00
S95DC-52-340	3773115062	9	5	340.00	87.00	427.00	2.00	10.88	2.00	2.00

**Note; Diameters D and G are for nominal pin size, for actual hole size refer to print.**

**Note; Nominal Stage OD, refers to the Largest Moving Sleeve.**

## Single-Acting Telescopic Cylinders With CC, DB, and DC Mounts

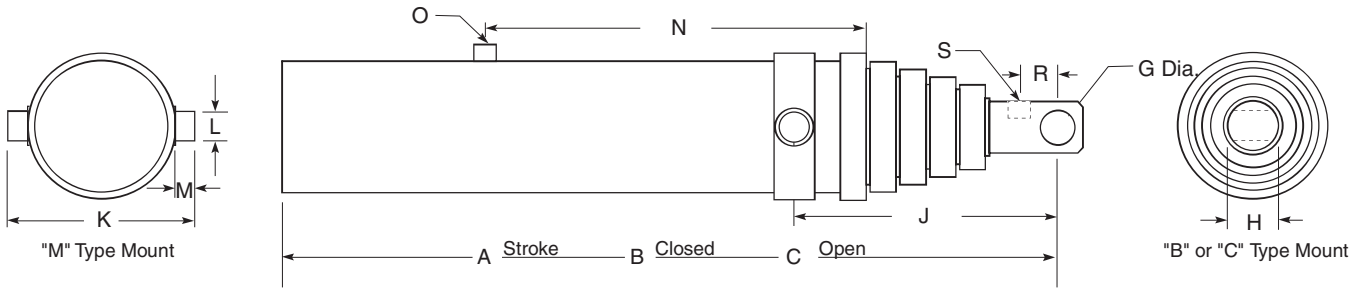


10 DIGIT NUMBER	N LOCATION	O SIZE	P LOCATION	Q SIZE	GALS TO FILL	GALS TO EXTEND	WEIGHT LBS	REBUILD KIT	REPACK KIT
3773115068	6.50"	1" NPT	5.75"	1" NPT	3.9	22.4	835	3751804025	3751804004
3773115064	6.50"	1" NPT	5.75"	1" NPT	6.8	36.2	855	3751804025	3751804004
3773115063	6.50"	1" NPT	5.75"	1" NPT	7.1	38.7	880	3751804025	3751804004
3773115061	6.50"	1" NPT	5.75"	1" NPT	7.5	41.3	1100	3751804025	3751804004
3773115069	6.50"	1" NPT	5.75"	1" NPT	8.2	44.6	1200	3751804025	3751804004
3773115067	6.50"	1" NPT	5.75"	1" NPT	9.3	47.6	1215	3751804025	3751804004
3773115066	6.50"	1" NPT	5.75"	1" NPT	9.6	50.2	1230	3751804025	3751804004
3773115065	6.50"	1" NPT	5.75"	1" NPT	9.8	54.1	1200	3751804025	3751804004
3773115062	12.50"	1" NPT	5.75"	1" NPT	10.2	59.9	1245	3751804025	3751804004

**Note;** Diameters D and G are for nominal pin size, for actual hole size refer to print.

**Note;** Nominal Stage OD, refers to the Largest Moving Sleeve.

## Single-Acting Telescopic Cylinders With MB and MC Mounts



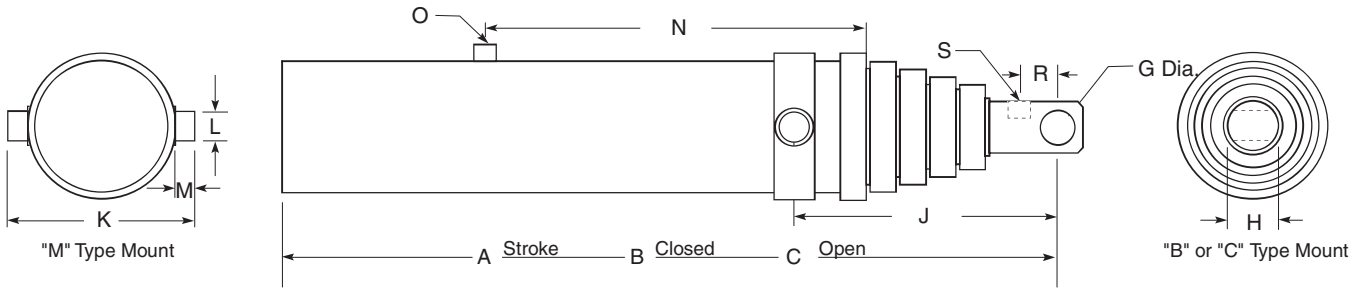
ENGINEERING NUMBER	10 DIGIT NUMBER	NOMINAL STAGE OD	NUMBER STAGES	A STROKE	B CLOSED	C OPEN	G PIN	H WIDTH	J TR to PIN	K WIDTH	L DIA.	M LGTH
S63MB-8-140	3771413124	6	3	140.25	61.62	201.9	1.5	3.62	14.37	12.38	1.8	1.69
S74MB-3-154	3772514058	7	4	154	55.62	209.6	1.5	3.62	14.37	12.25	1.8	1.63
S74MB-3-172	3772514062	7	4	172	58.34	230.3	1.5	3.62	14.37	12.25	1.8	1.63
S85MC-48-200	3772915121	8	5	199	55	254	2	3	15.5	14	2.3	1.25
S85MC-48-220	3772915122	8	5	219	59	278	2	3	15.5	14	2.3	1.25
S85MC-48-235	3772915123	8	5	234	65	299	2	3	15.5	14	2.3	1.25
S85MC-48-250	3772915120	8	5	249	67	316	2	3	15.5	14	2.3	1.25
S85MC-48-265	3772915119	8	5	265	71	336	2	3	15.5	14	2.3	1.25
S85MC-48-280	3772915118	8	5	280	78.87	358.9	2	3	15.5	14	2.3	1.25

**Note; Bold / Highlighted Items are Standard Warehouse Items.**

**Note; Diameters G are for nominal pin size, for actual hole size refer to print.**

**Note; Nominal Stage OD, refers to the Largest Moving Sleeve.**

## Single-Acting Telescopic Cylinders With MB and MC Mounts



10 DIGIT NUMBER	N LOCATION	O SIZE	R LOCATION	S SIZE	GALS TO FILL	GALS TO EXTEND	WEIGHT LBS	REBUILD KIT	REPACK KIT
3771413124			2"	1" NPT	4.8	11.2	280	3751804018	3911804109
3772514058			2"	1" NPT	5.2	15.1	412	3751804022	3751804003
3772514062			2"	1" NPT	5.6	16.6	436	3751804022	3751804003
3772915121			2"	1" NPT	6.4	23.5	620	3751804024	3911804060
3772915122			2"	1" NPT	7.1	26.1	640	3751804024	3911804060
3772915123			2"	1" NPT	7.8	27.2	670	3751804024	3911804060
3772915120			2"	1" NPT	8.4	29.1	720	3751804024	3911804060
3772915119			2"	1" NPT	8.7	31.6	780	3751804024	3911804060
3772915118			2"	1" NPT	9.8	34.1	800	3751804024	3911804060

**Note; Bold / Highlighted Items are Standard Warehouse Items.**  
**Note; Diameters G are for nominal pin size, for actual hole size refer to print.**  
**Note; Nominal Stage OD, refers to the Largest Moving Sleeve.**